

Product Family

Access Fittings

Description

A convenient low-cost port for refrigeration servicing. May be installed in any position on either high or low side for charging, purging, quick testing or pressure checking. DiversiTech's access fittings have 1/4in. SAE male flare access ports and include a quick seal cap and a stainless and brass special refrigerant valve core.

Specifications

Material:

Copper and Brass

Warranty:

1 year



VA-3-346



VA-34



VA-68



VA-46



VAU-24



VAU-45



VAX-2, VAX-2B, VAX-3, VAX-3B, VAX-4, VAX-5, VAX-5B



VAX-6, VAX-6B, VAX-8



VC-4



VC-4R



VS-4



VST-4



VST-44



VTR-24



Simplify The Way You Work

6650 Sugarloaf Parkway, Duluth, GA 30097 Phone: 800-955-2222 Fax: 678-542-3700 www.diversitech.com

© 2016 Diversitech Corporation

All rights reserved.

Rev. 4/11/17

Page 1 of 11



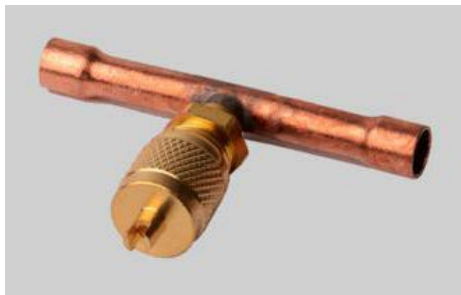
VTS-10



VTS-12, VTS-14



VTS-3-12, VTS-3-14



**VTS-46, VTS-56, VTS-68,
VTS-810**



VUR-4



VVC-1



Simplify The Way You Work

6650 Sugarloaf Parkway, Duluth, GA 30097 Phone: 800-955-2222 Fax: 678-542-3700 www.diversitech.com

© 2016 Diversitech Corporation

All rights reserved.

Rev. 5/11/17

Page 2 of 11

STOCK NO	Description	Dimensions	Number per package	Temperature Range	Max Working Pressure	Weight	UPC
VA-3-346	3 Way Solder Type, pack of 6 For 3/16in O.D. tube or 1/4in and 3/8in solder fitting	A = 1.0 in B = 0.25 in C = 0.50 in D = 0.15 in E = 0.19 in	6	30°F - 400°F	500 PSI	0.27 lbs	0686109930037
VA-34	Straight Solder Type, for 3/16in. O.D.S. x 1/4in. O.D.F., Pack of 6	3/16 in ODS x 1/4 in ODF	6	30°F - 400°F	500 PSI	0.2 lbs	0686109930013
VA-46	Straight Solder Type, for 1/4in. O.D.S. x 3/8in. O.D.F., Pack of 6	1/4 in ODS x 3/8 in ODF	6	30°F - 400°F	500 PSI	0.2 lbs	0686109930044
VA-68	Straight Solder Type, for 3/8in. O.D.S. x 1/2in. O.D.F., Pack of 6	7/16" - 20 UNF	6	30°F - 400°F	500 PSI	0.2 lbs	0686109930068
VAU-24	Half Union, 1/8in. MPT, Pack of 6	A = 1.06 in B = 0.30 in C = 0.50 in D = 0.19 in E = 0.25 in	6	30°F - 400°F	500 PSI	0.2 lbs	0686109930075
VAU-45	Half Union, 1/4in. MPT, Pack of 6	A = 1.27 in B = 0.40 in C = 0.50 in D = 0.27 in E = 0.313 in	6	30°F - 400°F	500 PSI	0.430 lbs	0686109930082
VAX-2	Extended Copper Tube, 1/8in. O.D.	A = 0.952 in B = 0.290 in C = 0.58 in D = 0.18 in E = 0.188 in	6	30°F - 400°F	500 PSI	0.322 lbs	0686109930099
VAX-2B	AF, Extended CPR. Tube, 1/8in	A = 0.952 in B = 0.290 in C = 0.58 in D = 0.18 in E = 0.188 in	100	30°F - 400°F	500 PSI	0.0580 lbs	0686109003854
VAX-3	Extended Copper Tube, 3/16in. O.D. x 1/8in. I.D.	A = 0.952 in B = 0.388 in C = 0.58 in D = 0.18 in E = 0.188 in	6	30°F - 400°F	500 PSI	0.354 lbs	0686109930105
VAX-3B	AF, Extended CPR. Tube, 3/16in	A = 0.952 in B = 0.388 in C = 0.58 in D = 0.18 in E = 0.188 in	100	30°F - 400°F	500 PSI	0.06 lbs	0095247105687
VAX-4	Extended Copper Tube, 1/4in. O.D. x 3/16 I.D.	A = 0.952 in B = 0.40 in C = 0.58 in D = 0.18 in E = 0.188 in	6	30°F - 400°F	500 PSI	0.364 lbs	0686109930112



Simplify The Way You Work

6650 Sugarloaf Parkway, Duluth, GA 30097 Phone: 800-955-2222 Fax: 678-542-3700 www.diversitech.com

© 2016 Diversitech Corporation
All rights reserved.

STOCK NO	Description	Dimensions	Number per package	Temperature Range	Max Working Pressure	Weight	UPC
VAX-4B	Extended Copper Tube. Connection: 6.35 O.D. x 4.76mm I.D.	A = 0.952 in B = 0.40 in C = 0.58 in D = 0.18 in E = 0.188 in	100	30°F - 400°F	500 PSI	0.0640 lbs	0068610900035
VAX-5	Extended Copper Tube, 5/16in. O.D. x 1/4 I.D.	A = 0.952 in B = 0.423 in C = 0.58 in D = 0.18 in E = 0.188 in	3	30°F - 400°F	500 PSI	0.2 lbs	0686109930129
VAX-5B	AF, Extended CPR. Tube, 5/16in	A = 0.952 in B = 0.423 in C = 0.58 in D = 0.18 in E = 0.188 in	100	30°F - 400°F	500 PSI	0.2 lbs	0095247105694
VAX-6	Extended Copper Tube, 3/8in. O.D. x 5/16in. I.D.	A = 1.0 in B = 0.495 in C = 0.529 in D = 0.283 in E = 0.188 in	3	30°F - 400°F	500 PSI	0.236 lbs	0686109930136
VAX-6B	AF, Extended CPR. Tube, 3/8in	A = 1.0 in B = 0.495 in C = 0.529 in D = 0.283 in E = 0.188 in	100	30°F - 400°F	500 PSI	0.2 lbs	0686109003960
VAX-8	Extended Copper Tube, 1/2in. O.D.	A = 1.283 in B = 0.585 in C = 0.670 in D = 0.283 in E = 0.330 in	3	30°F - 400°F	500 PSI	0.4 lbs	0686109930143
VC-4	Flare Cap for 1/4in., Pack of 12	A = 0.54 in B = 0.118 in C = 0.118 in	12	30°F - 400°F	500 PSI	0.228 lbs	0686109935001
VC-4R	Flare Cap with Core Remover for 1/4in., Pack of 12	A = 0.54 in B = 0.118 in C = 0.118 in D = 0.217 in E = 0.175 in	12	30°F - 400°F	500 PSI	0.2 lbs	0686109935018
VS-4	Swivel Nut With Depressor for 1/4in. Female Flare Forged Swivel Nut, Pack of 6	A = 1.76 in B = 0.58 in C = 0.50 in	6	30°F - 400°F	500 PSI	0.510 lbs	0686109930167



Simplify The Way You Work

6650 Sugarloaf Parkway, Duluth, GA 30097 Phone: 800-955-2222 Fax: 678-542-3700 www.diversitech.com

© 2016 Diversitech Corporation

All rights reserved.

STOCK NO	Description	Dimensions	Number per package	Temperature Range	Max Working Pressure	Weight	UPC
VST-4	Swivel Tee with Permanent Depressor for 1/4in. Access on Run x 1/4in. Female Flare with Depressor on Female Swivel Branch End	A = 1.658 in B = 1.17 in C = 0.25 in	3	30°F - 400°F	500 PSI	0.378 lbs	0686109930174
VST-44	Swivel Tee w/Permanent Depressor, 1/4" Access on run x 1/4" access on "T" - female swivel on run	A = 2.30 in B = 0.50 in C = 0.50 in D = 0.63 in E = 1.21 in	3	30°F - 400°F	500 PSI	0.402 lbs	0686109930198
VTR-24	Threaded Tee for 1/8in. MPT x 1/4in. Male Flare on Run x Access on Branch	A = 1.67 in B = 0.88 in C = 0.875 in	3	30°F - 400°F	500 PSI	0.2 lbs	0686109930235
VTS-10	Solder Tee Type for 5/8in. O.D. Tube	A = 2.00 in B = 1.19 in C = 0.631 in	1	30°F - 400°F	500 PSI	0.2 lbs	0686109930242
VTS-12	Solder Tee Type for 3/4in. O.D. Tube	A = 1.35 in B = 1.29 in C = 0.755 in	1	30°F - 400°F	500 PSI	0.2 lbs	0686109930259
VTS-14	Solder Tee Type for 7/8in. O.D. Tube	A = 1.62 in B = 1.35 in C = 0.880 in	1	30°F - 400°F	500 PSI	0.2 lbs	0686109930266
VTS-3-12	Solder Tube Elbow for 3/4in. O.D.S.	3/4 in OD	1	30°F - 400°F	500 PSI	0.2 lbs	0686109930334
VTS-3-14	Solder Tube Elbow for 7/8in. O.D.S.	7/8 in OD	1	30°F - 400°F	500 PSI	0.2 lbs	0686109930341
VTS-46	Solder Tee Type for 1/4in. O.D.S. x 5/16in. O.D.F.	A = 2.31 in B = 1.00 in C = 0.256 in	3	30°F - 400°F	500 PSI	0.178 lbs	0686109930280
VTS-56	Solder Tee Type for 5/16in. O.D.S. x 3/8in. O.D.F.	A = 2.00 in B = 1.03 in C = 0.318 in	3	30°F - 400°F	500 PSI	0.2 lbs	0686109930297
VTS-68	Solder Tee Type for 3/8in. O.D.S.	A = 2.36 in B = 1.06 in C = 0.50 in D = 0.12 in E = 0.12 in	3	30°F - 400°F	500 PSI	0.2 lbs	0686109930303
VTS-810	Solder Tee Type for 1/2in. O.D.S	A = 2.00 in B = 1.13 in C = 0.506 in	3	30°F - 400°F	500 PSI	0.216 lbs	0686109930310
VUR-4	Full Union for 1/4in. O.D. Flare Tube with Forged Flare Nut	1/4 in OD	6	30°F - 400°F	500 PSI	0.2 lbs	0686109930365
WC-1	Valve Core	A = 0.780 in B = 0.13 in C = 0.558 in D = 0.076 in	6	30°F - 400°F	500 PSI	0.014 lbs	0686109935025



Simplify The Way You Work

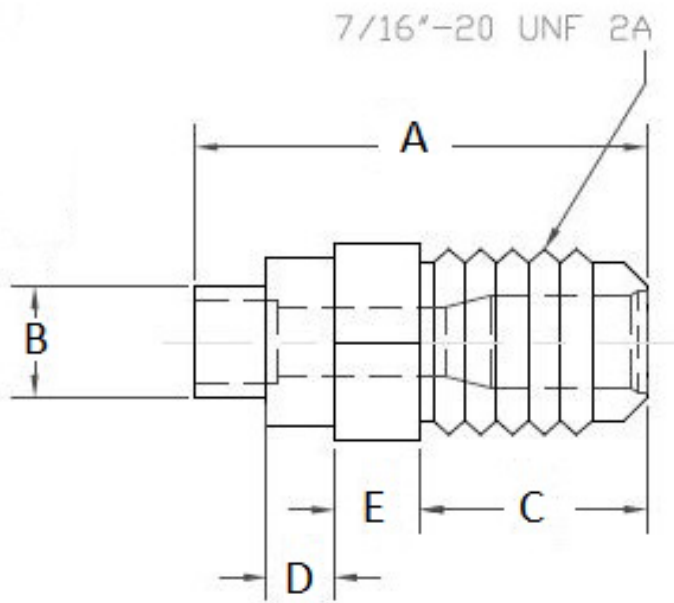
6650 Sugarloaf Parkway, Duluth, GA 30097 Phone: 800-955-2222 Fax: 678-542-3700 www.diversitech.com

© 2016 Diversitech Corporation

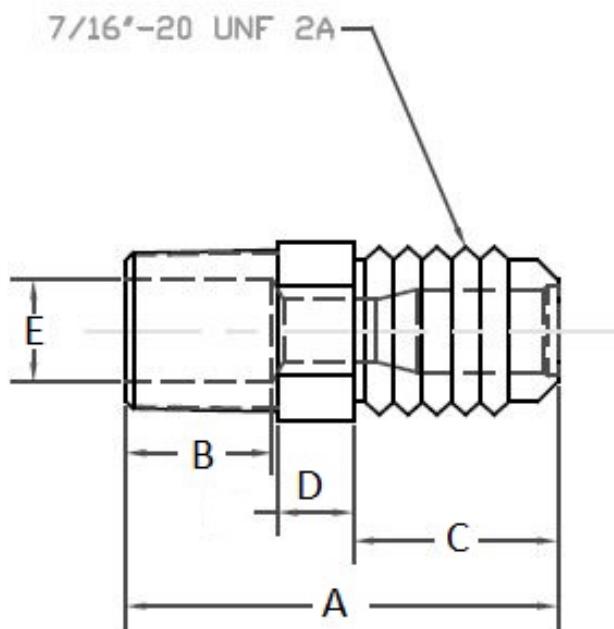
All rights reserved.

Rev. 5/11/17

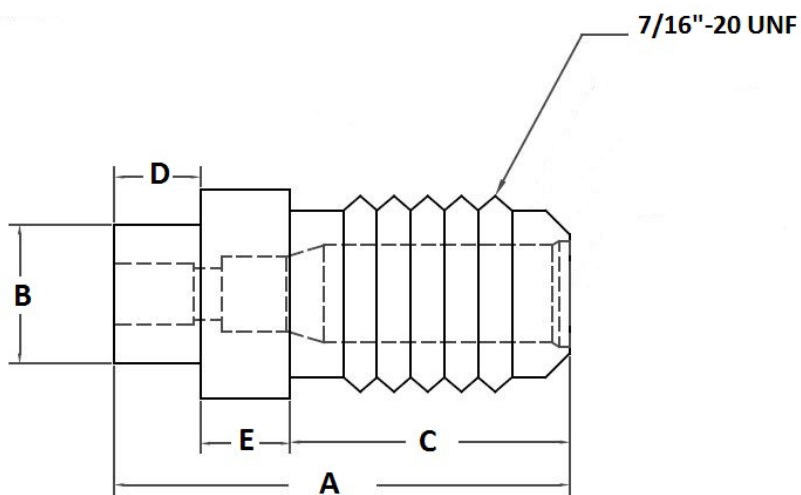
Page 5 of 11



VAX-3-346



VAU-24, VAU-45



VAX-2, VAX-2B, VAX-3, VAX-3B, VAX-4, VAX-4B
VAX-5, VAX-5B, VAX-6, VAX-6B, VAX-8,

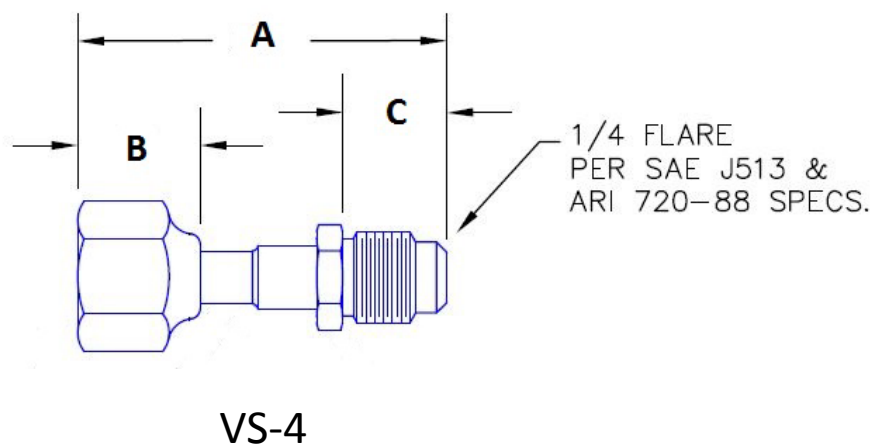
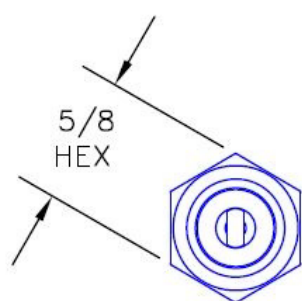
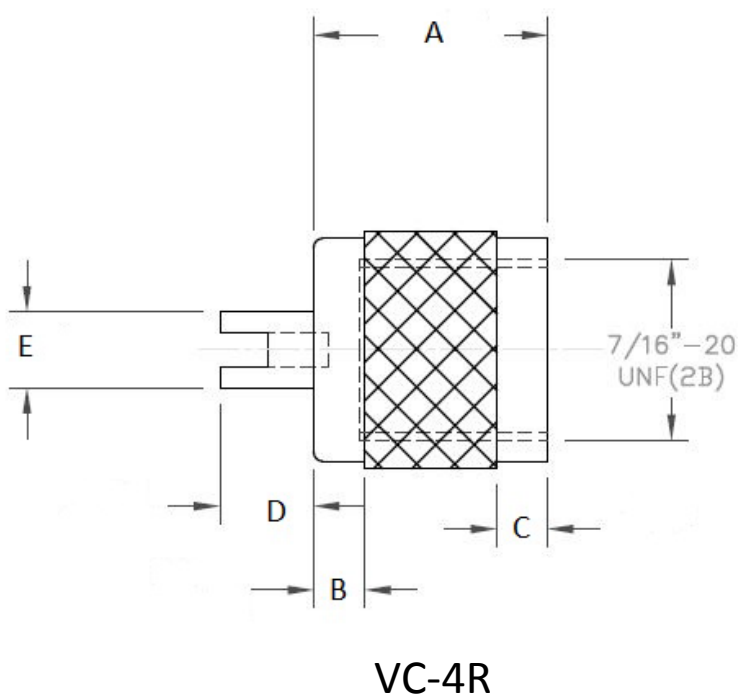
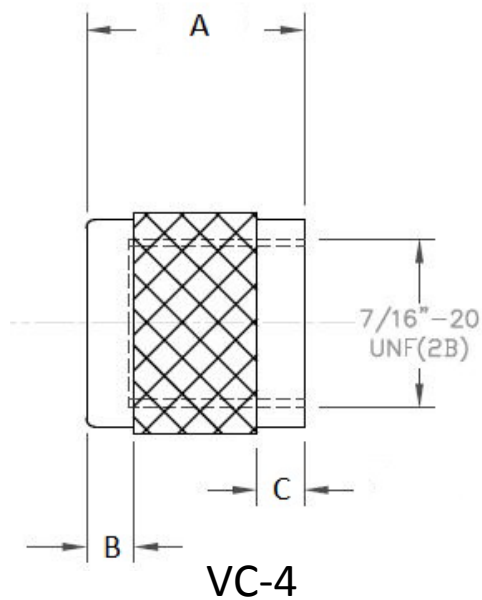


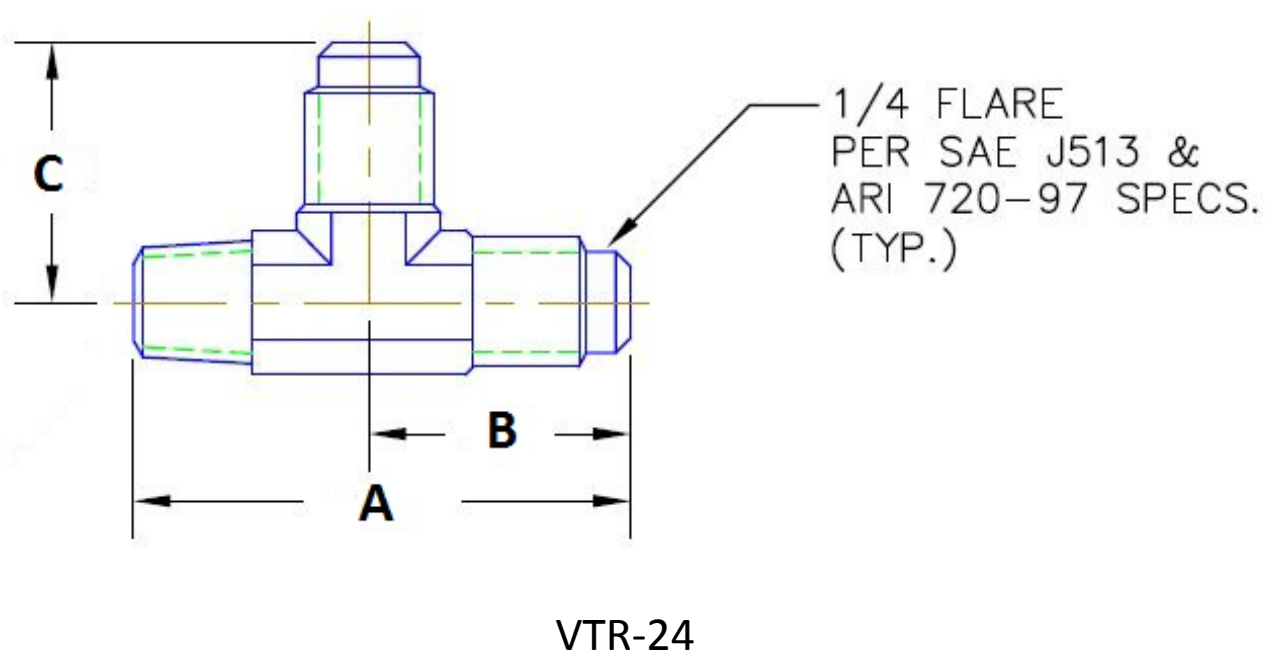
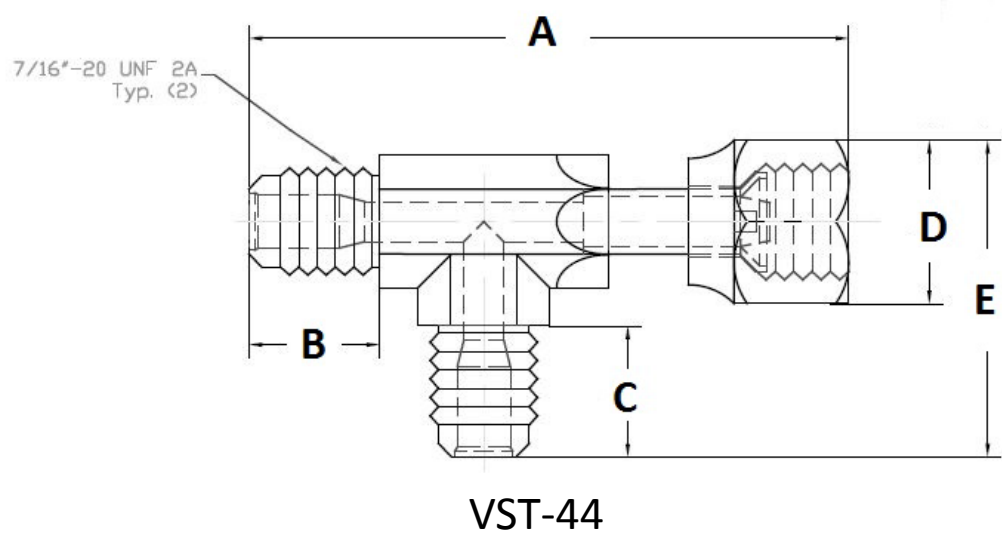
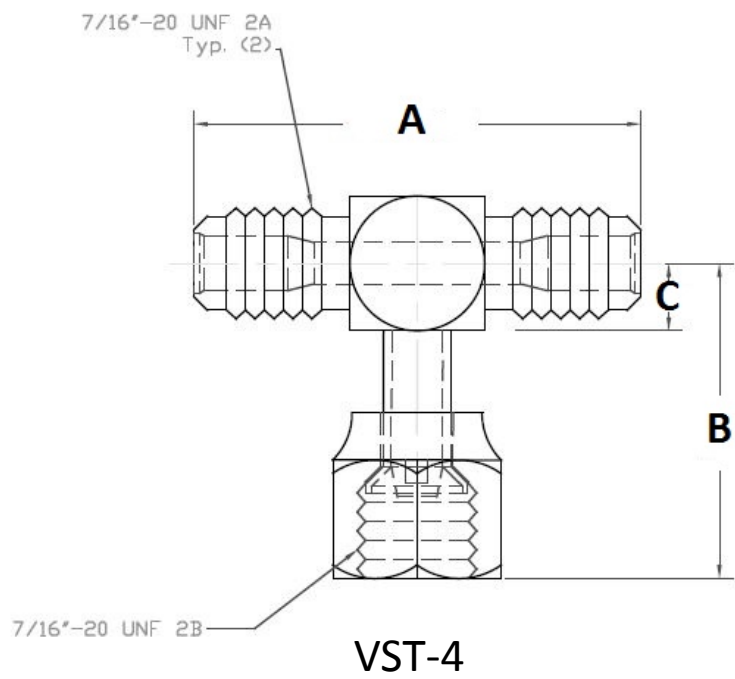
Simplify The Way You Work

6650 Sugarloaf Parkway, Duluth, GA 30097 Phone: 800-955-2222 Fax: 678-542-3700 www.diversitech.com

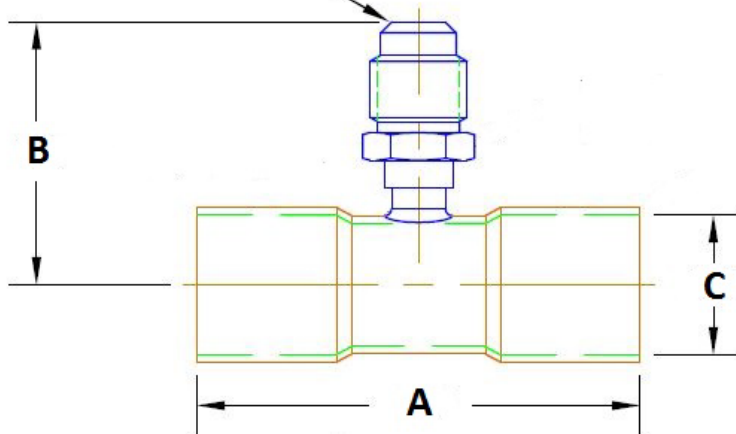
© 2016 Diversitech Corporation

All rights reserved.



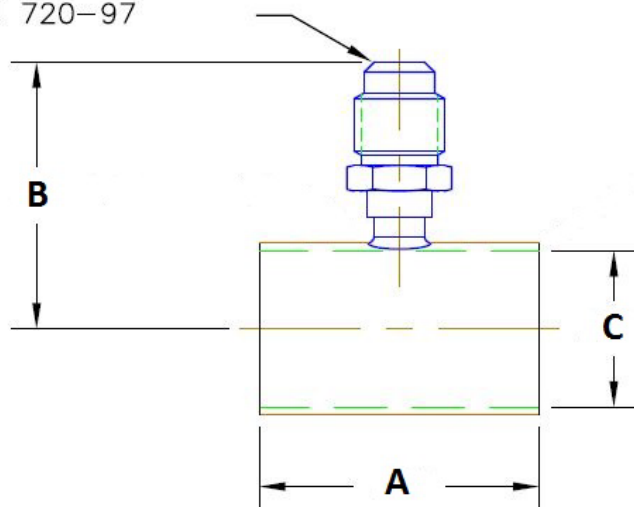


1/4 FLARE
PER SAE J513 &
ARI 720-88 SPECS.



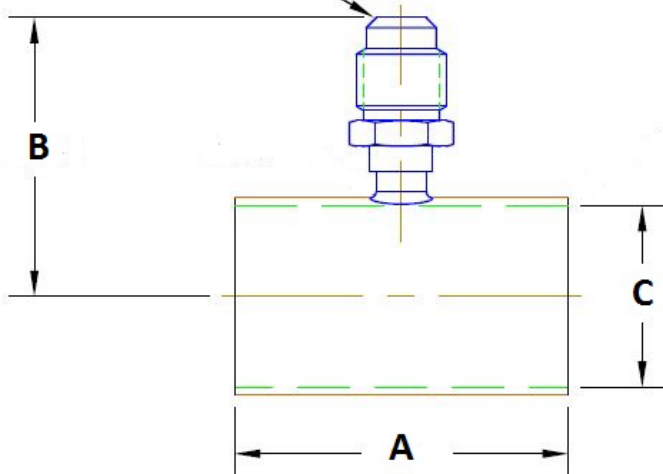
VTS-10

1/4 FLARE
PER SAE J513 &
ARI 720-97



VTS-12

1/4 FLARE
PER SAE J513 &
ARI 720-97 SPECS.



VTS-14



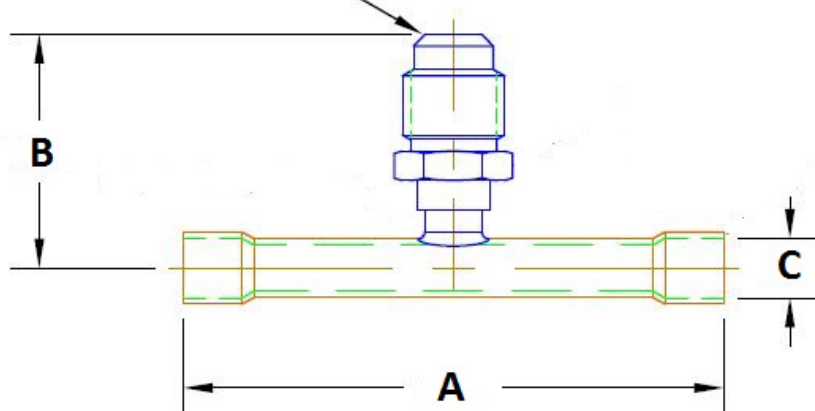
Simplify The Way You Work

6650 Sugarloaf Parkway, Duluth, GA 30097 Phone: 800-955-2222 Fax: 678-542-3700 www.diversitech.com

© 2016 Diversitech Corporation

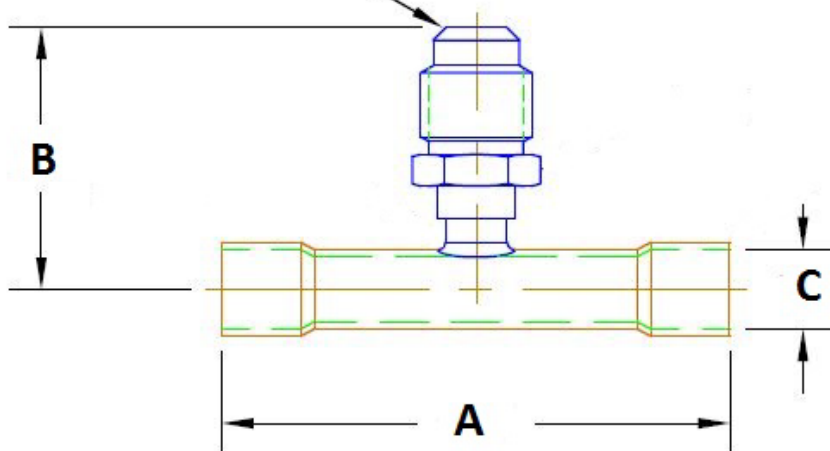
All rights reserved.

1/4 FLARE
PER SAE J513 &
ARI 720-88 SPECS.



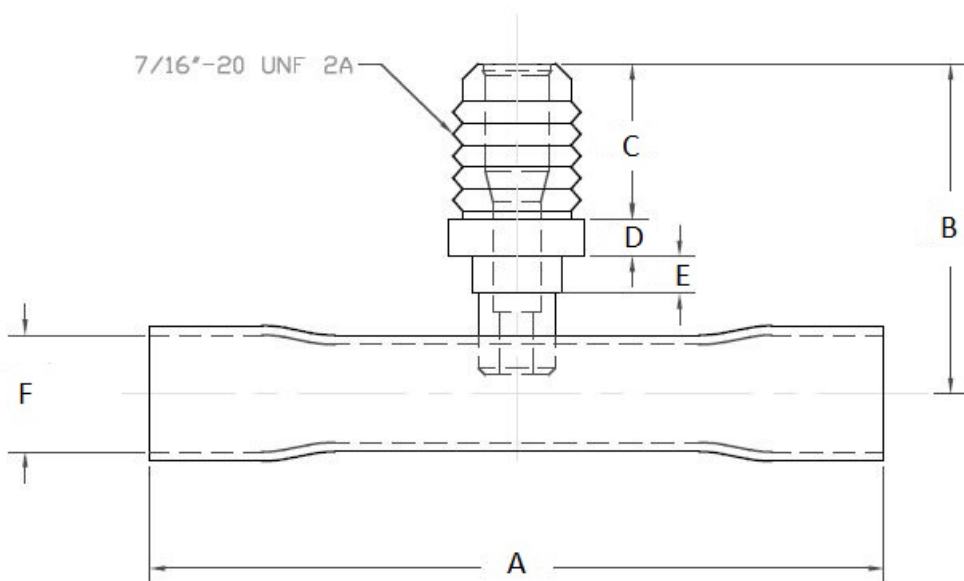
VTS-46

1/4 FLARE
PER SAE J513 &
ARI 720-88 SPECS.



VTS-56

7/16"-20 UNF 2A



VTS-68



Simplify The Way You Work

6650 Sugarloaf Parkway, Duluth, GA 30097 Phone: 800-955-2222 Fax: 678-542-3700 www.diversitech.com

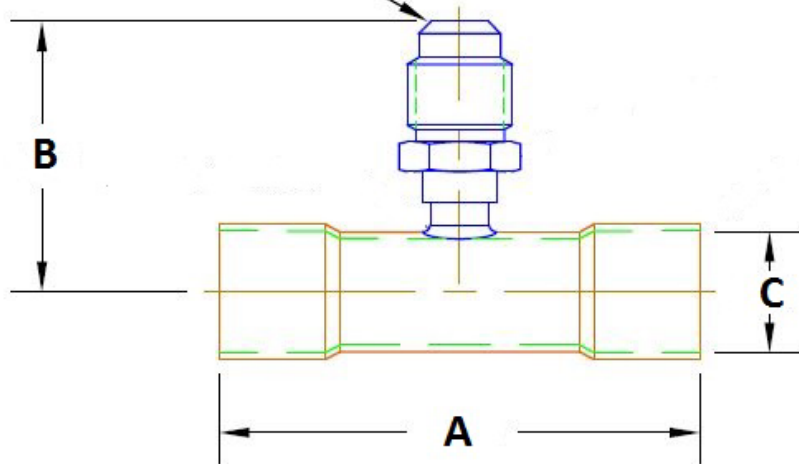
© 2016 Diversitech Corporation

All rights reserved.

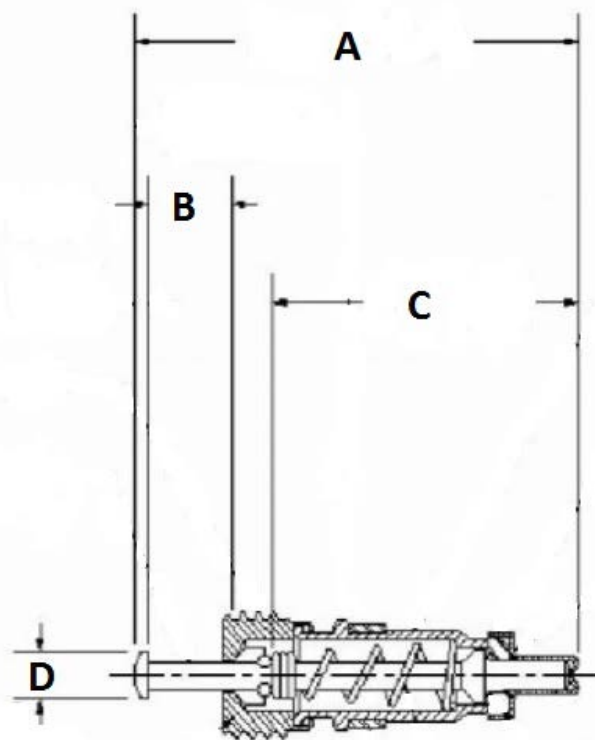
Rev. 5/11/17

Page 10 of 11

1/4 FLARE
 PER SAE J513 &
 ARI 720-88 SPECS.



VTS-810



WC-1



Simplify The Way You Work

6650 Sugarloaf Parkway, Duluth, GA 30097 Phone: 800-955-2222 Fax: 678-542-3700 www.diversitech.com

© 2016 Diversitech Corporation

All rights reserved.