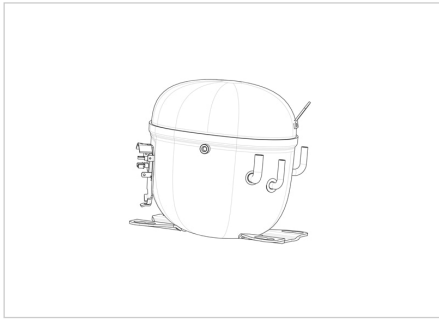


MODEL

**NT6226GK**

embraco



## APPROVALS



**ENGINEERING CODE**  
923BA08

**APPROVED REFRIGERANT**  
R-404A

**POWER SUPPLY**  
220-240 V 50 Hz

**STANDARD CONDITIONS**  
EN12900

**APPLICATION**  
MBP

**COOLING CAPACITY**  
1755 W

**EFFICIENCY**  
1.79 W/W

**MOTOR TYPE**  
CSCR

**STARTING TORQUE**  
HST

## DATA

## General Data

Type	Hermetic reciprocating
Technology Type	On-Off
Displacement	22.4 cm <sup>3</sup>
Compressor Cooling	Fan
Fan Air Flow	520 m <sup>3</sup> /h
Expansion Device	Capillary Tube or Expansion Valve
Horse Power	1 hp
Max Condensing Pressure Operating	24.71 bar
Max Condensing Pressure Peak	27.71 bar
Power Supply	220-240 V 50 Hz
Evaporating Temperature Range	-20 °C to 10 °C

## Electrical Data

Motor type	CSCR
Starting Torque	HST
Start Winding Resistance	8.31 Ω at 25° C
Run Winding Resistance	1.63 Ω at 25° C

## Mechanical Data

Maximum Recommended Refrigerant Charge	800 g
Oil Charge	450 ml
Oil Type Configuration	Polyolester
Oil Type Viscosity	ISO22
Pressurization	Dry air charge
Weight	18.2 Kg
Free Internal Volume	3.3 L

## Electrical Components

	Description
CSR / CSIR Box	yes
Starting Device	Potential relay   RVA403C-123
Start Capacitor	130-156 ?F / 250V
Motor Protection	External 3/4" T0828/C9

## External Characteristics

Base Plate	Universal	
Tray Holder	No	
Height	234 mm	
Connector	Internal Diameter	Shape
Suction	12.7 mm	ROTOLOCK 1"-14UNS-2A
Discharge	6.42 mm	Vertical
Process	6.42 mm	Vertical

## PERFORMANCE

## Rated Points

Condensing Temperature	Evaporating Temperature	Cooling Capacity	Power Consumption	Current	Gas Flow Rate	Efficiency
45.00°C	-10.00°C	1755 W	980 W	4.78 A	52.71 kg/h	1.79 W/W

Test Condition: EN12900, Fan, Return Gas 20°C, Evaporation -10.00°C, Condensing 45.00°C, Ambient 35°C , Liquid 45°C. Data in accordance to EN12900 guideline polynomial curve.

## Performance Curve Data

### Condensing Temperature 35°C

Evaporating Temperature °C	Cooling Capacity W	Power W	Current A	Gas Flow Rate kg/h	Efficiency W/W
-20	1361	764	3.83	35.28	1.78
-15	1706	831	4.12	44.58	2.05
-10	2117	898	4.42	55.78	2.36
-5	2592	966	4.72	69.05	2.68
0	3133	1035	5.03	84.52	3.03
5	3739	1106	5.35	102.35	3.38
10	4410	1180	5.69	122.69	3.74

Test Condition: EN12900, Fan, MBP. Data in accordance to EN12900 guideline polynomial curve.

### Condensing Temperature 45°C

Evaporating Temperature °C	Cooling Capacity W	Power W	Current A	Gas Flow Rate kg/h	Efficiency W/W
-20	1114	821	4.09	32.83	1.36
-15	1408	901	4.43	41.86	1.56
-10	1755	980	4.78	52.71	1.79
-5	2157	1059	5.13	65.56	2.04
0	2612	1138	5.49	80.54	2.3
5	3121	1218	5.86	97.81	2.56
10	3683	1299	6.23	117.52	2.83

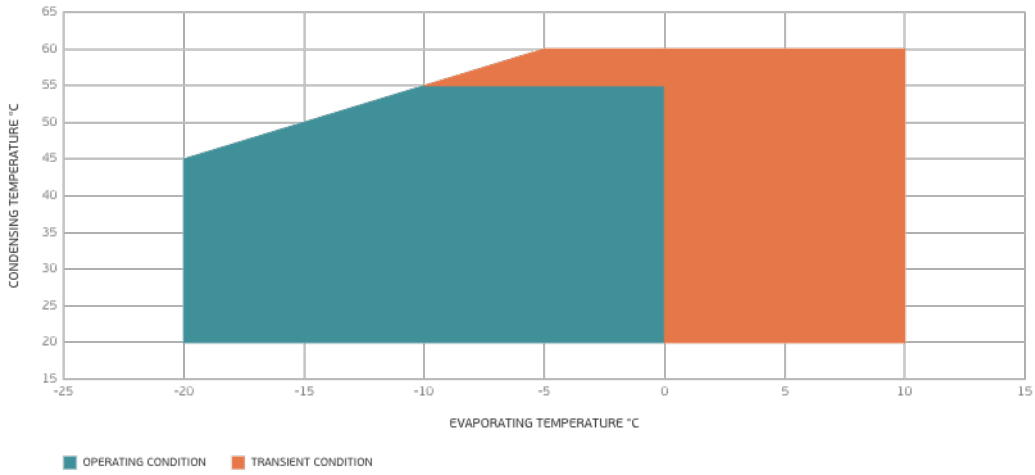
Test Condition: EN12900, Fan, MBP. Data in accordance to EN12900 guideline polynomial curve.

### Condensing Temperature 55°C

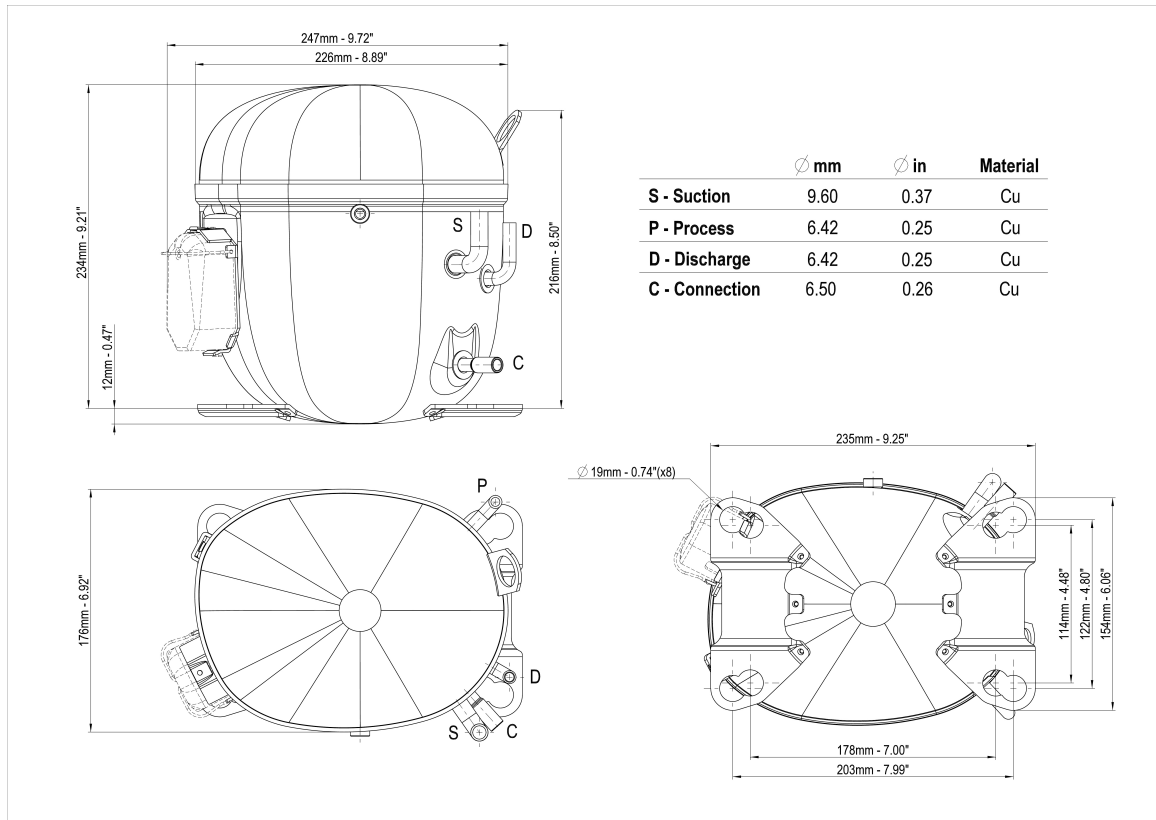
Evaporating Temperature °C	Cooling Capacity W	Power W	Current A	Gas Flow Rate kg/h	Efficiency W/W
-10	1422	1062	5.16	50.41	1.34
-5	1746	1156	5.58	62.80	1.51
0	2113	1249	6.01	77.26	1.69
5	2522	1342	6.44	93.94	1.88
10	2973	1435	6.88	112.98	2.07

Test Condition: EN12900, Fan, MBP. Data in accordance to EN12900 guideline polynomial curve.

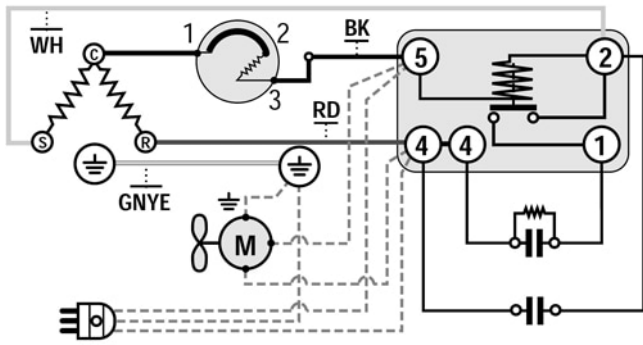
## Operating Envelope



## External Dimensions



## Wiring Diagram



## Assembly Instructions

