

Installation guide

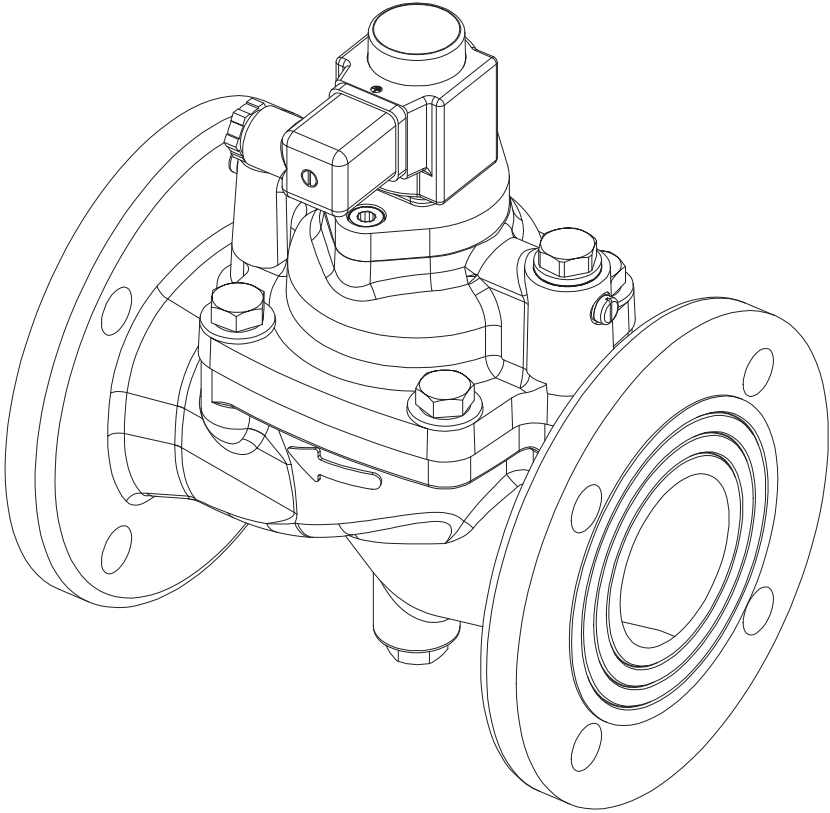
# Solenoid valve

Type EV220B 65 - 100



016R9522

016R9522



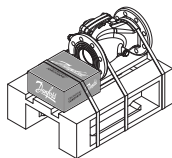
Імпортер: ТОВ з п "Данфосс ТОВ" 04:080, Київ 80, п/с 168, Україна

Info for UK customers only: Danfoss Ltd., 22 Wycombe End, HP9 1NB, GB

**The product contains**



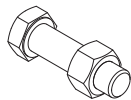
**EV220B 65**



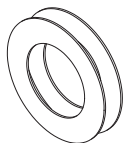
**EV220B 80 & 100**



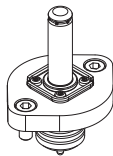
**EV220B 65 - 100  
Small box**



**8 pcs**



**2 pcs**



**1 pcs**



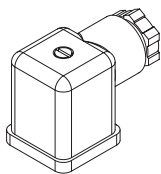
**1 pcs**



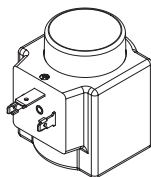
**1 pcs\***

\*Only in case of water hammer risk, change the equalizing orifice. See page 6 for installation guide.

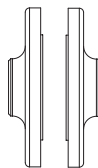
**Accessories**



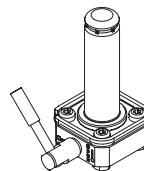
**Cable plug**



**Coil BB/BE/BG/BY**

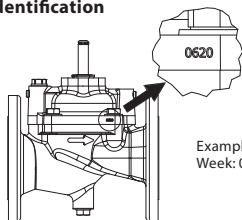


**Flange set**



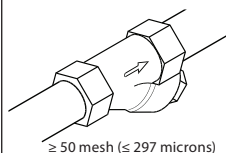
**Manual override kit**

**Identification**

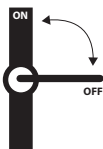


Example:  
Week: 06 / year: 2020

**Recommendations**



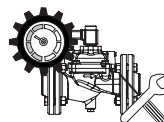
≥ 50 mesh (≤ 297 microns)

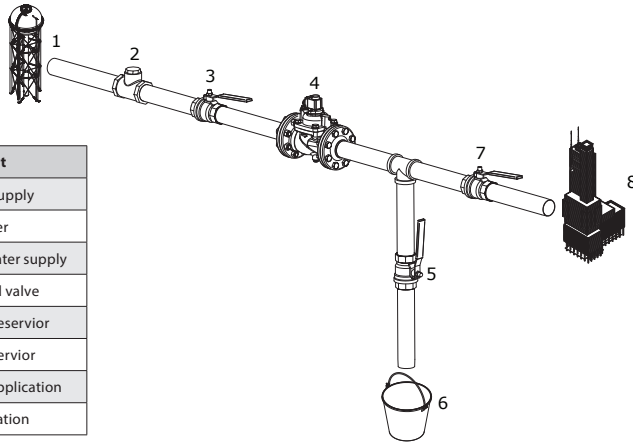


**Water quality**

Hardness 6 - 18 °dH  
Conductivity 50 - 800 µS/cm t  
Media temp. < 25°C

**Maintenance  
every 6 to 12 months**

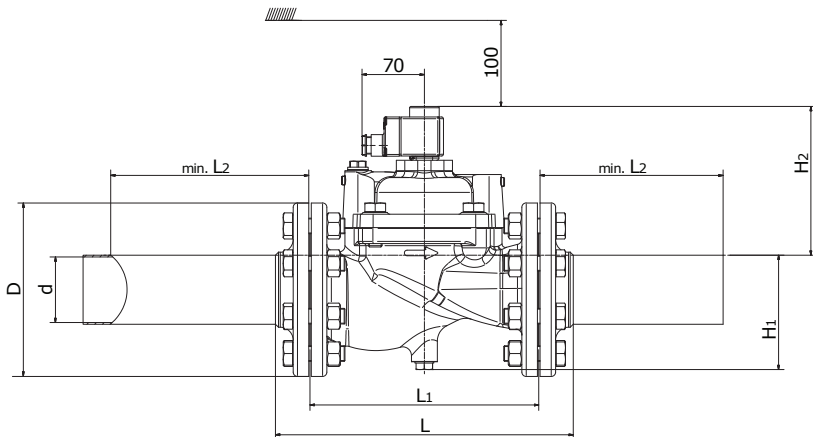




| NO. | Part                     |
|-----|--------------------------|
| 1   | Water supply             |
| 2   | Filter                   |
| 3   | Ball valve, water supply |
| 4   | Solenoid valve           |
| 5   | Ball, test reservoir     |
| 6   | Test reservoir           |
| 7   | Ball valve, application  |
| 8   | Application              |

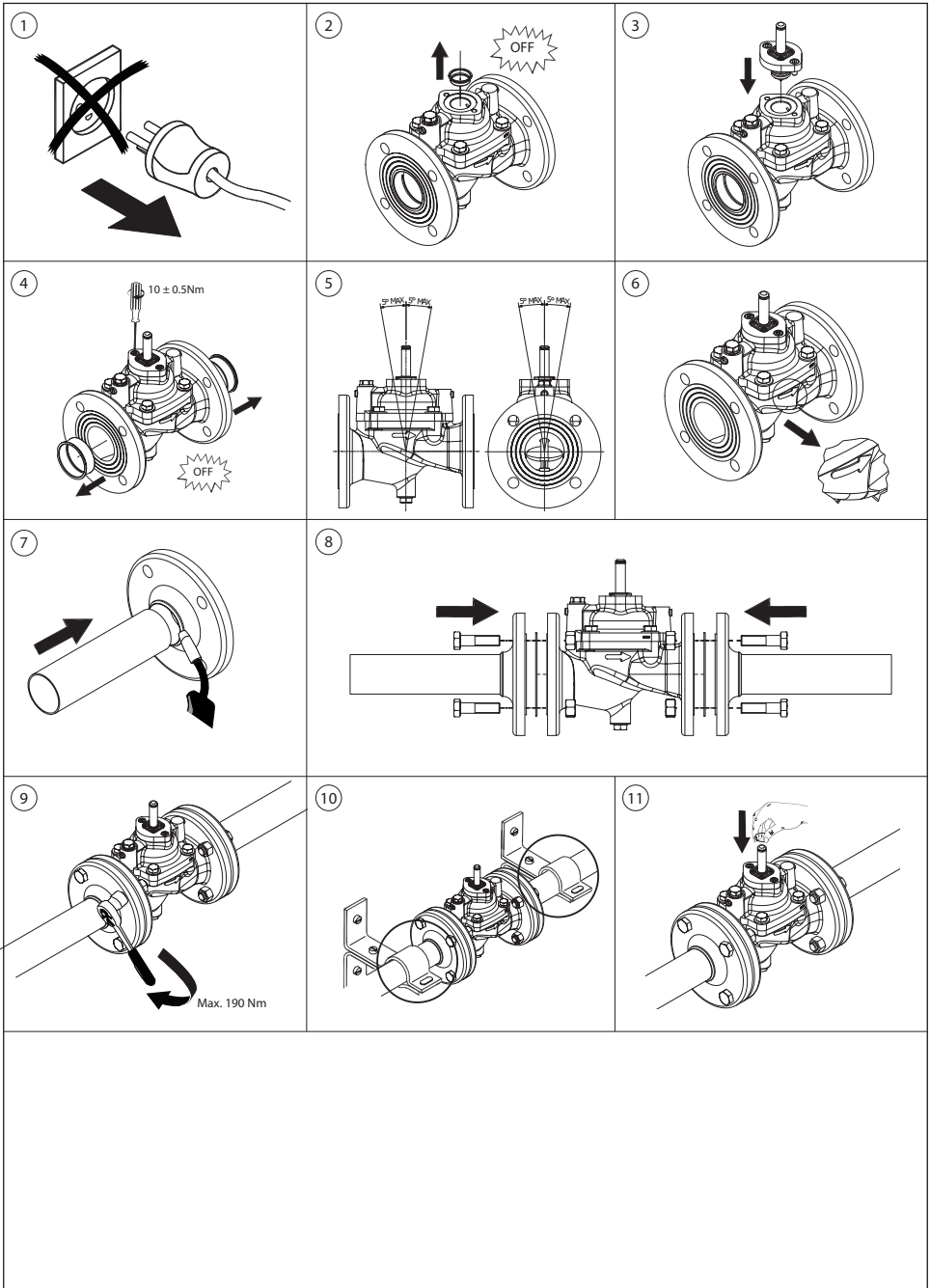


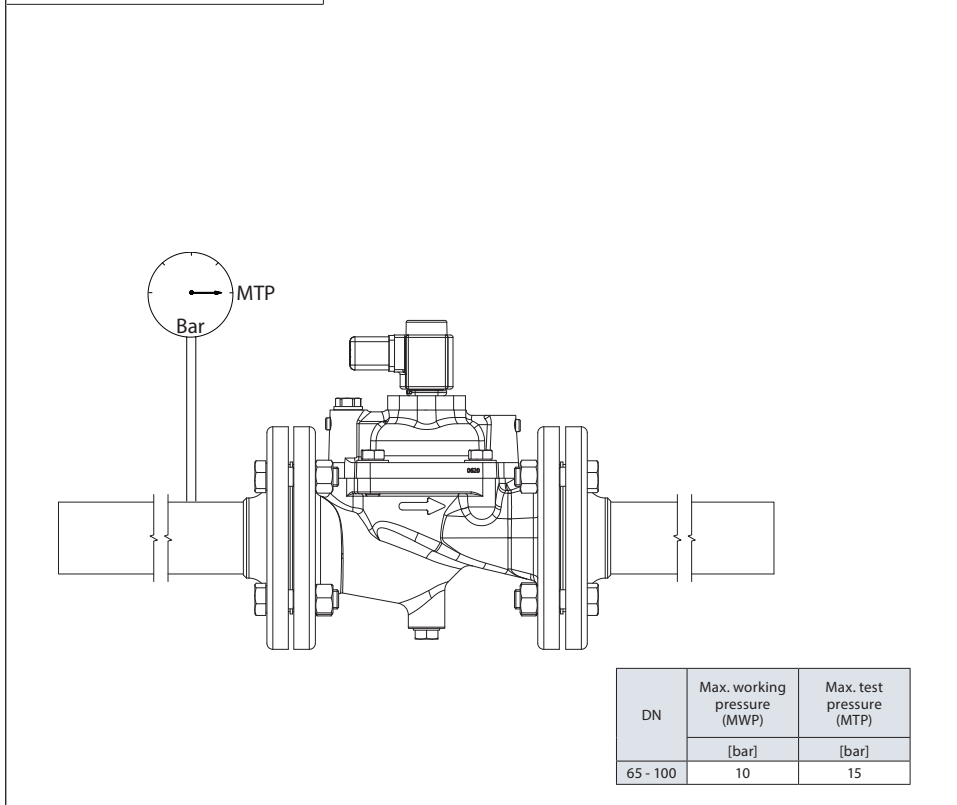
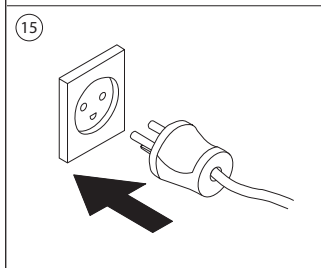
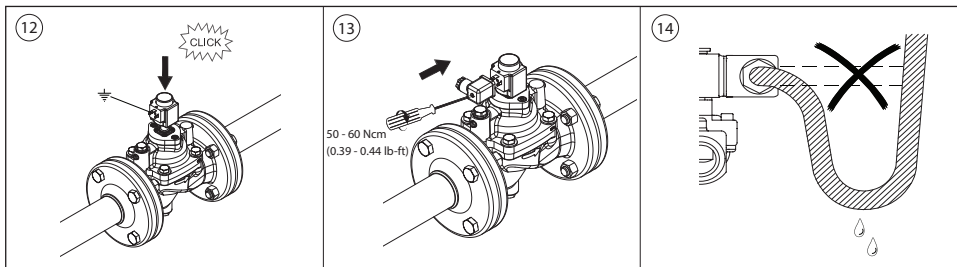
| Type       | L [mm] | L <sub>1</sub> [mm] | Required min. L2* (mm) | B <sub>1</sub> [mm] Coil type |    | øD [mm] | H <sub>1</sub> [mm] | H <sub>2</sub> [mm] | Weight without coil [kg] | Required min. inside tube diameter d** (mm) |
|------------|--------|---------------------|------------------------|-------------------------------|----|---------|---------------------|---------------------|--------------------------|---|
|            |        |                     |                        | BB/BE                         | BG |         |                     |                     |                          |   |
| EV220B 65  | 320    | 224                 | 300                    | 46                            | 66 | 185     | 85                  | 185                 | 24                       | 65  |
| EV220B 80  | 370    | 265                 | 350                    | 46                            | 66 | 200     | 93                  | 215                 | 34                       | 80  |
| EV220B 100 | 430    | 315                 | 400                    | 46                            | 66 | 220     | 103                 | 240                 | 44                       | 100   |



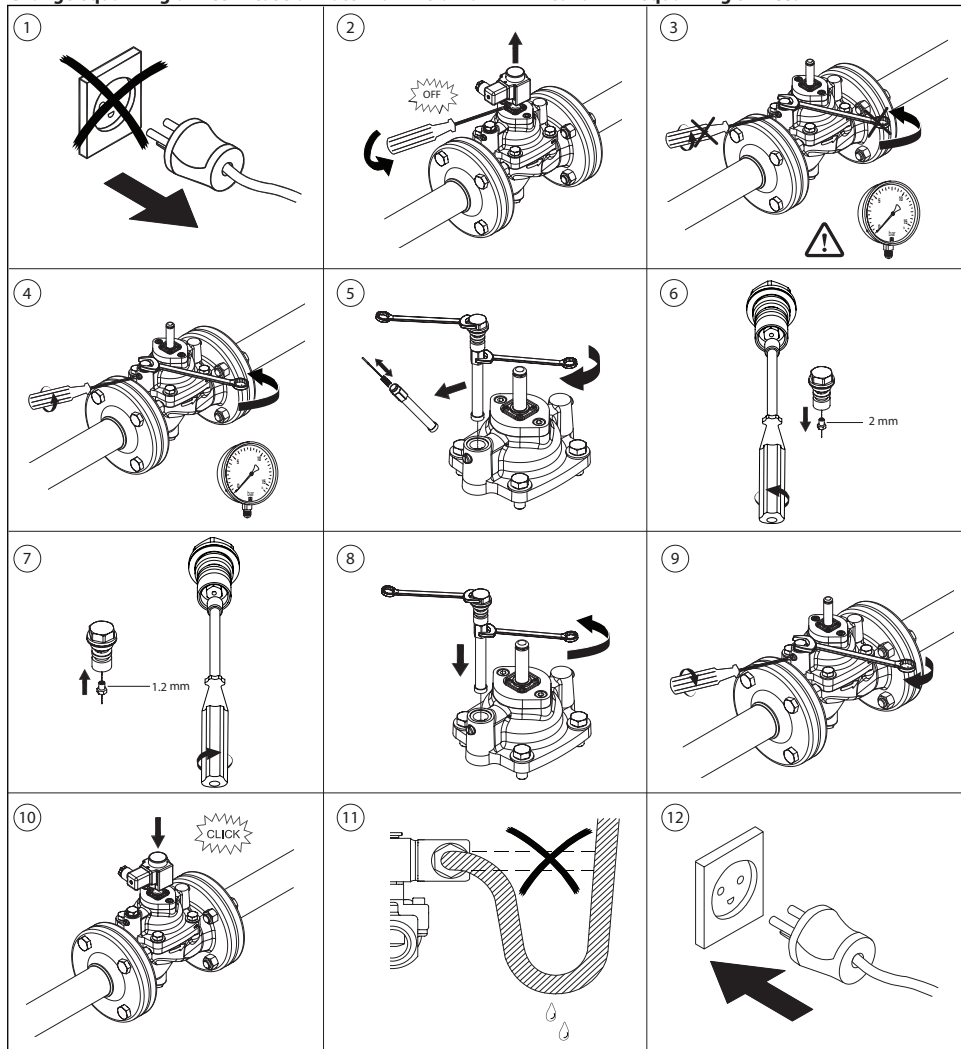
\* Avoid closing problems caused by turbulent flow it is required to have a straight tube on both sides of the valve.

\*\* Required to keep same tube size for entire application, same or bigger inside diameter as valve orifice 65 / 80 / 100 mm.





**Change equalizing orifice in case of water hammer. From 2 mm to 1.2 mm equalizing orifice.**



Visit [www.product.danfoss.com](http://www.product.danfoss.com) for further technical data  
 para más información, visite [www.product.danfoss.es](http://www.product.danfoss.es)  
 Rendez-vous sur le site [www.products.danfoss.fr](http://www.products.danfoss.fr) pour plus de dobbées techniques

Any information, including, but not limited to information on selection of product, its application or use, product design, weight, dimensions, capacity or any other technical data in product manuals, catalogues descriptions, advertisements, etc. and whether made available in writing, orally, electronically, online or via download, shall be considered informative, and is only binding if and to the extent, explicit reference is made in a quotation or order confirmation. Danfoss cannot accept any responsibility for possible errors in catalogues, brochures, videos and other material. Danfoss reserves the right to alter its products without notice. This also applies to products ordered but not delivered provided that such alterations can be made without changes to form, fit or function of the product.  
 All trademarks in this material are property of Danfoss A/S or Danfoss group companies. Danfoss and the Danfoss logo are trademarks of Danfoss A/S. All rights reserved.