

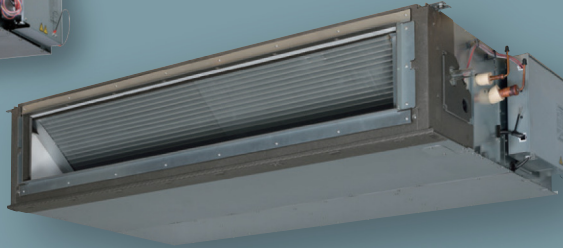
FDU

Indoor Unit

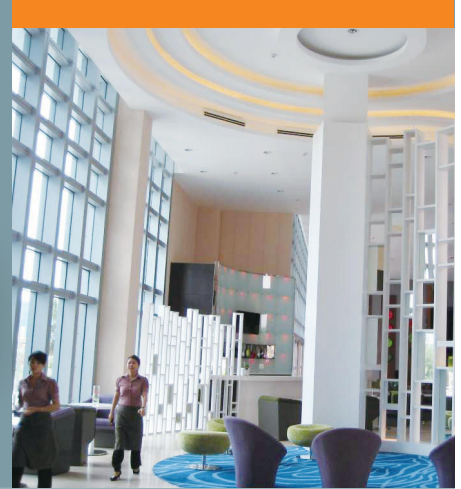
Duct Connected -High Static pressure-



FDU 71/100/125/140



FDU 200/250



New

- Energy Saving
- Automatic Operation
- Silent Operation
- Hi Power
- Weekly/Sleep/Peak-Cut Timer
- Self-Diagnostics



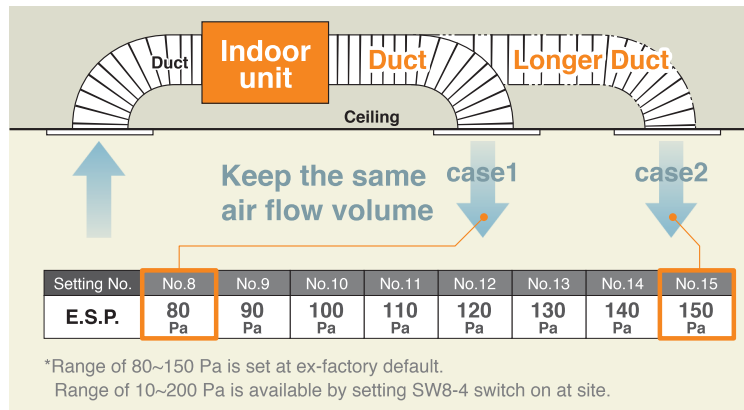
Remote control (option)

Wired			Wireless	
RC-EX3A	RC-E5	RCH-E3	RCN-KIT4-E2	

*Not all functions available with all remote control options.

External Static Pressure (E.S.P.) Control

The External Static Pressure (E.S.P.) can be manually set on the wired remote controller. Indoor unit will control the fan speed to keep rated air flow volume at each fan speed setting. You can set required E.S.P. by wired remote controller, calculated with the set air flow rate and the pressure loss of the duct.



Expansion of external static pressure range

Previous
10~130Pa

↓

Current
10~200Pa

RC-E5

E.S.P. button

External Static Pressure (E.S.P.) can be set by E.S.P. button.



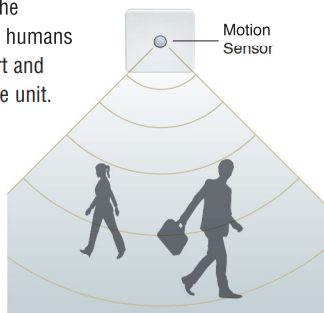
Motion Sensor (Option)

New

Motion sensor is equipped in the ceiling plane or wall plane and detects the presence/absence and activity of humans in a room to improve the comfort and energy saving performance of the unit.

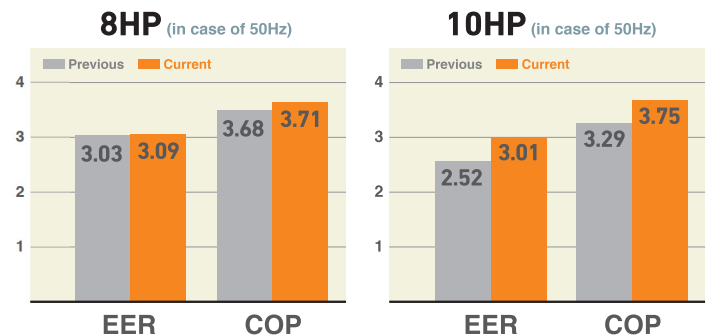


LB-KIT



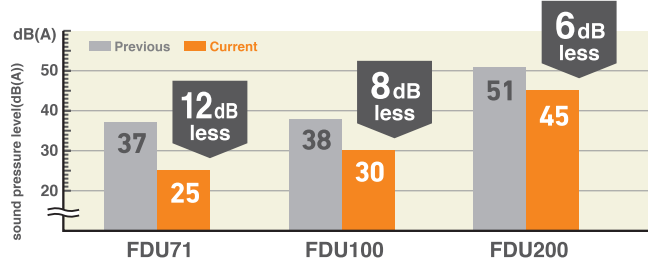
High Efficiency

Energy efficiency is improved by use of DC fan motor & high efficient heat exchanger.



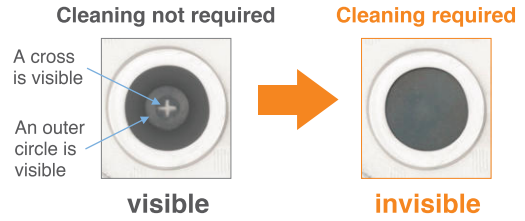
Quieter Noise

Thanks to use of DC fan motor, quiet operation is achieved.



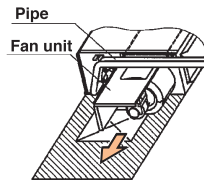
Transparent Inspection Window

Dirt condition of the bottom of a drain pan can be checked through this transparent inspection window without removing drain pan.



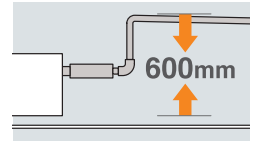
Improvement of the Serviceability

Fan unit (impeller and motor) can be pulled out from the right side of the unit. Maintenance can be available from the right side or the bottom side.



Enhanced Installation Workability

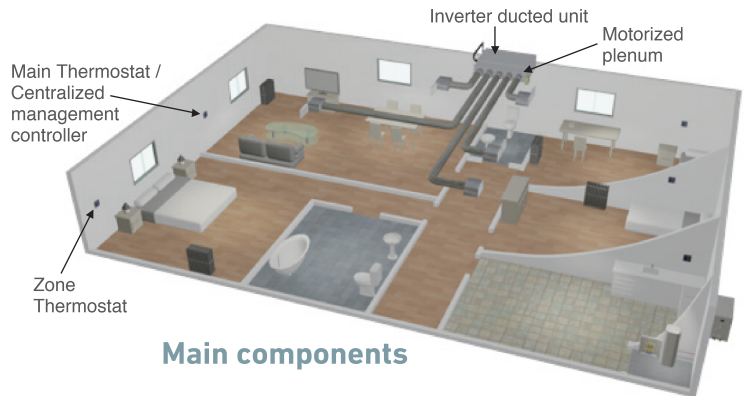
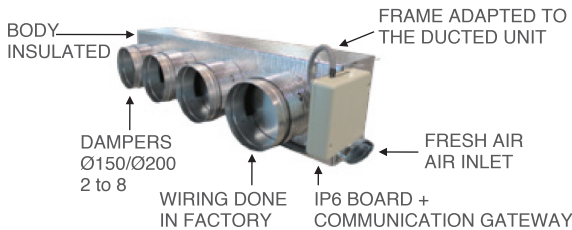
600mm Drain Pump is mounted in FDU71/100/125/140. The indoor unit is completely hidden in the ceiling, so this is suitable for spaces with classy interior decoration.



Round Duct Adapter (Available for FDU71~140)

AIRZONE Company: AIRZONE
URL: <http://www.airzone.es>

All-in-one solution: the whole zoning system in a plug&play device perfectly adapted to the indoor DX unit



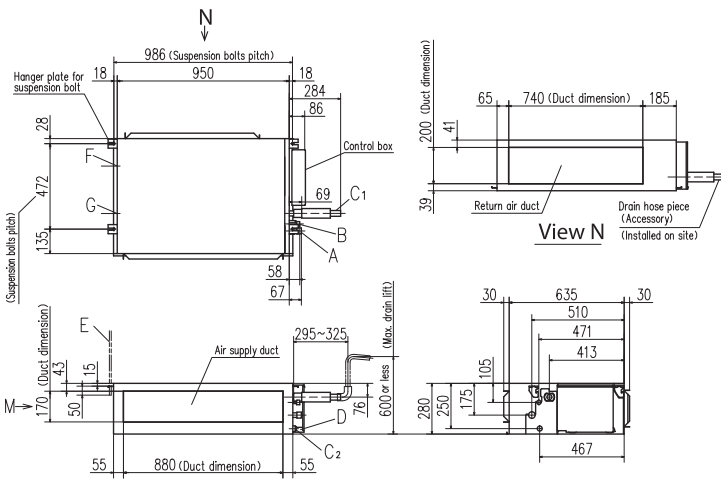
OUTDOOR UNIT

		Hyper Inverter	
FDC		71VNX-W	—
		71VNX	100~140VN(S)X
model			
Chargeless		30m	
Height x Width x Depth (mm)		750 x 880(+88) x 340	1,300 x 970 x 370

		Micro Inverter			Standard Inverter		
FDC		100~140VN(S)A-W	—	—	71VNP-W	90~100VNP-W	—
		100~140VN(S)A	200VSA	250VSA	71VNP	90VNP1	100VNP
model							
Chargeless		30m			15m		
Height x Width x Depth (mm)		845 x 970 x 370	1,300 x 970 x 370	1,505 x 970 x 370	640 x 800(+71) x 290	750 x 880(+88) x 340	845 x 970 x 370

DIMENSIONS (Unit:mm) - FDU -

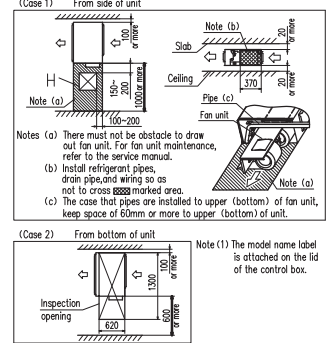
Model FDU71VH



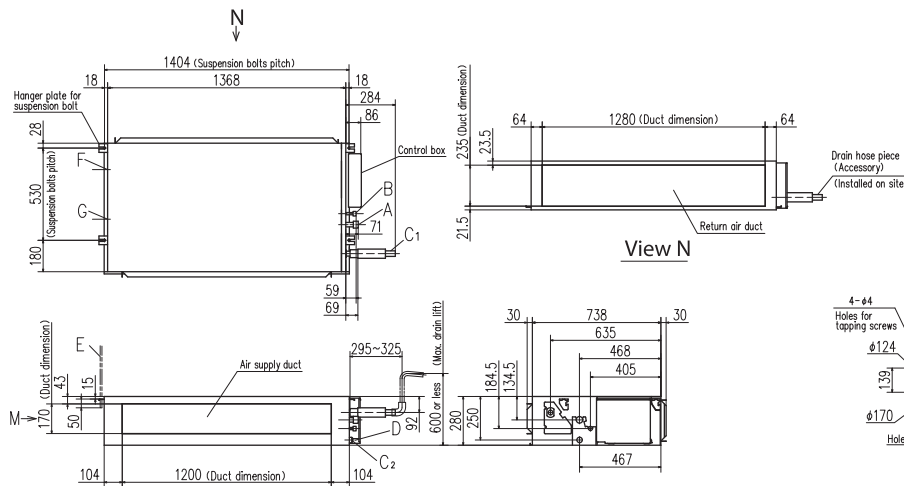
Symbol	Content
A	Gas piping $\phi 15.88 (5/8")$ (Flare)
B	Liquid piping $\phi 9.52 (3/8")$ (Flare)
C1	Drain piping VP25 (O.D.32)
C2	Drain piping (Gravity drainage) VP20
D	Hole for wiring
E	Suspension bolts M10
F	Outside air opening for ducting (Knock out)
G	Air outlet opening for ducting (Knock out)
H	Inspection opening (450X450)

Space for installation and service

Select either of two cases to keep space for installation and services.



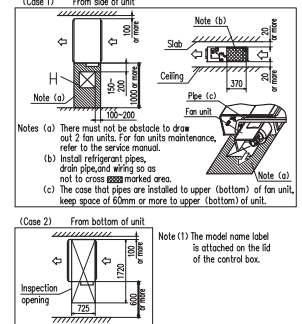
Models FDU100VH,125VH,140VH



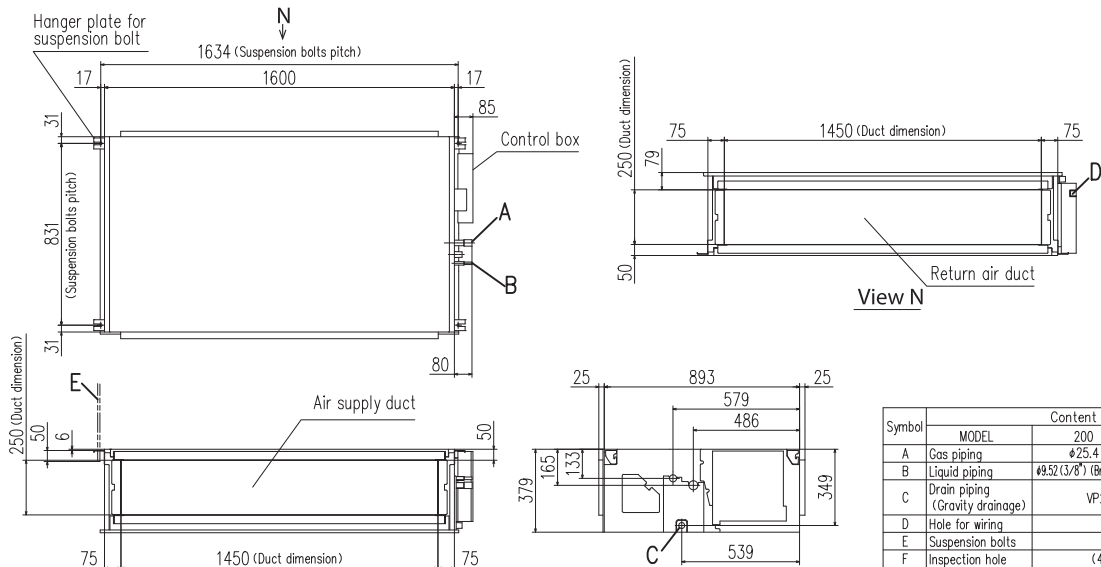
Symbol	Content
A	Gas piping $\phi 15.88 (5/8")$ (Flare)
B	Liquid piping $\phi 9.52 (3/8")$ (Flare)
C1	Drain piping VP25 (O.D.32)
C2	Drain piping (Gravity drainage) VP20
D	Hole for wiring
E	Suspension bolts M10
F	Outside air opening for ducting (Knock out)
G	Air outlet opening for ducting (Knock out)
H	Inspection opening (450X450)

Space for installation and service

Select either of two cases to keep space for installation and services.



Models FDU200VG, 250VG



Symbol	MODEL		Content
	200	250	
A			Gas piping $\phi 25.4 (1")$ (Brazeing)
B			Liquid piping $\phi 9.52 (3/8")$ (Brazeing) $\phi 12.7 (1/2")$ (Brazeing)
C			Drain piping (Gravity drainage) VP25 (O.D.32)
D			Hole for wiring
E			Suspension bolts M10
F			Inspection hole (450X450)

SPECIFICATIONS -FDU-

R32			Hyper Inverter		
Set model name			FDU71VNXWVH		
Indoor unit			FDU71VH		
Outdoor unit			FDC71VNX-W		
Power source			1 Phase 220-240V, 50Hz / 220V, 60Hz		
Nominal cooling capacity (Min~Max)			kW 7.1 (3.2 ~ 8.0)		
Nominal heating capacity (Min~Max)			kW 8.0 (3.6 ~ 9.0)		
Power consumption			Cooling/Heating kW 1.77 / 1.78		
EER/COP			Cooling/Heating 4.01 / 4.49		
Inrush current			A 5		
Max. current			20		
Sound power level*1	Indoor	Cooling/Heating	65 / 65		
	Outdoor	Cooling/Heating	66 / 66		
Sound pressure level*1	Indoor	Cooling (P-Hi/Hi/Me/Lo)	dB(A) 38 / 33 / 29 / 25		
		Heating (P-Hi/Hi/Me/Lo)	38 / 33 / 29 / 25		
	Outdoor	Cooling/Heating	51 / 51		
		Cooling (P-Hi/Hi/Me/Lo)	m³/min 24 / 19 / 15 / 10		
Air flow	Indoor	Heating (P-Hi/Hi/Me/Lo)	24 / 19 / 15 / 10		
		Cooling/Heating	60 / 50		
	Outdoor	Cooling/Heating	Standard:35 Max:200		
		External static pressure*2	Pa	280 x 950 x 635	
Exterior dimensions	Indoor	HeightxWidthxDepth	mm 750 x 880(+88) x 340		
	Outdoor		34		
Net weight	Indoor		kg 60		
	Outdoor		9.52(3/8") / 15.88(5/8")		
Ref.piping size	Liquid/Gas	ømm	Max.50		
Refrigerant line (one way) length		m	Max.30 / Max.15		
Vertical height differences	Outdoor is higher/lower	m	-15~50*3		
Outdoor operating temperature range	Cooling	°C	-20~20		
	Heating		Procure locally		
Air filter			wired:RC-EX3A, RC-E5, RCH-E3 wireless:RCN-KIT4-E2		
Remote control (option)					

R410A			Hyper Inverter			
Set model name			FDU71VNXVH	FDU100VNXVH	FDU125VNXVH	FDU140VNXVH
Indoor unit			FDU71VH	FDU100VH	FDU125VH	FDU140VH
Outdoor unit			FDC71VNX	FDC100VNX	FDC125VNX	FDC140VNX
Power source			1 Phase 220-240V, 50Hz / 220V, 60Hz			
Nominal cooling capacity (Min~Max)			kW 7.1 (3.2 ~ 8.0)	10.0 (4.0 ~ 11.2)	12.5 (5.0 ~ 14.0)	14.0 (5.0 ~ 16.0)
Nominal heating capacity (Min~Max)			kW 8.0 (3.6 ~ 9.0)	11.2 (4.0 ~ 12.5)	14.0 (4.0 ~ 17.0)	16.0 (4.0 ~ 18.0)
Power consumption			Cooling/Heating kW 2.05 / 2.01	2.68 / 3.02	3.49 / 3.77	4.28 / 4.42
EER/COP			Cooling/Heating 3.46 / 3.98	3.73 / 3.71	3.58 / 3.71	3.27 / 3.62
Inrush current			A 5			
Max. current			17			
Sound power level*1	Indoor	Cooling/Heating	65 / 65	65 / 65	67 / 67	70 / 70
	Outdoor	Cooling/Heating	66 / 66	70 / 70	70 / 70	72 / 72
Sound pressure level*1	Indoor	Cooling (P-Hi/Hi/Me/Lo)	dB(A) 38 / 33 / 29 / 25			
		Heating (P-Hi/Hi/Me/Lo)	44 / 38 / 36 / 30			
	Outdoor	Cooling/Heating	45 / 40 / 34 / 29			
		Cooling (P-Hi/Hi/Me/Lo)	47 / 40 / 35 / 30			
Air flow	Indoor	Heating (P-Hi/Hi/Me/Lo)	44 / 38 / 36 / 30			
		Cooling/Heating	45 / 40 / 34 / 29			
	Outdoor	Cooling/Heating	48 / 50			
		Cooling (P-Hi/Hi/Me/Lo)	48 / 50			
External static pressure*2	Pa	Standard:35 Max:200	Standard:60 Max:200			
		24 / 19 / 15 / 10	36 / 28 / 25 / 19			
Exterior dimensions	Indoor	HeightxWidthxDepth	mm 280 x 950 x 635			
			750 x 880(+88) x 340			
Net weight	Indoor		kg 34			
			60			
Ref.piping size	Liquid/Gas	ømm	9.52(3/8") / 15.88(5/8")			
Refrigerant line (one way) length		m	Max.50			
Vertical height differences	Outdoor is higher/lower	m	Max.30 / Max.15			
Outdoor operating temperature range	Cooling	°C	-15~43*3			
	Heating		-20~20			
Air filter			Procure locally			
Remote control (option)			wired:RC-EX3A, RC-E5, RCH-E3 wireless:RCN-KIT4-E2			

NOTES:

<p>The data are measured under the following conditions(R410A:ISO-T1, R32:ISO-T1, H1). Cooling:Indoor temp. of 27°CDB, 19°CWB, and outdoor temp. of 35°CDB. Heating:Indoor temp. of 20°CDB, and outdoor temp. of 7°CDB, 6°CWB. *1 : Indicates the value in an anechoic chamber. During operation these values are somewhat higher due to ambient conditions. *2 : External static pressure is changeable to be set by the remote control. MAX external static pressure is "High static pressure" setting. The values of sound pressure level become 5dB(A) higher at external static pressure of 200Pa. *3 : If a cooling operation is conducted when the outdoor air temperature is -5°C or lower, the outdoor unit should be installed at a place where it is not influenced by natural wind. If wind blows, the low pressure will drop and compressor frequency will increase, this will cause the capacity to drop and may cause the unit to break down.</p>
--

SPECIFICATIONS -FDU-

R410A			Hyper Inverter		
Set model name			FDU100VSXVH	FDU125VSXVH	FDU140VSXVH
Indoor unit			FDU100VH	FDU125VH	FDU140VH
Outdoor unit			FDC100VSX	FDC125VSX	FDC140VSX
Power source			3 Phase 380-415V, 50Hz / 380V, 60Hz		
Nominal cooling capacity (Min-Max)			kW 10.0 (4.0 ~ 11.2)	12.5 (5.0 ~ 14.0)	14.0 (5.0 ~ 16.0)
Nominal heating capacity (Min-Max)			kW 11.2 (4.0 ~ 16.0)	14.0 (4.0 ~ 18.0)	16.0 (4.0 ~ 20.0)
Power consumption			Cooling/Heating kW 2.68 / 3.02	3.49 / 3.77	4.28 / 4.42
EER/COP			Cooling/Heating 3.73 / 3.71	3.58 / 3.71	3.27 / 3.62
Inrush current			A 5	5	5
Max. current			16	18	19
Sound power level*1	Indoor	Cooling/Heating	65 / 65	67 / 67	70 / 70
	Outdoor	Cooling/Heating	70 / 70	70 / 70	72 / 72
Sound pressure level*1	Indoor	Cooling (P-Hi/Hi/Me/Lo)	dB(A) 44 / 38 / 36 / 30	45 / 40 / 34 / 29	47 / 40 / 35 / 30
		Heating (P-Hi/Hi/Me/Lo)		45 / 40 / 34 / 29	47 / 40 / 35 / 30
	Outdoor	Cooling/Heating	48 / 50	48 / 50	49 / 52
		Cooling (P-Hi/Hi/Me/Lo)	36 / 28 / 25 / 19	39 / 32 / 26 / 20	48 / 35 / 28 / 22
Air flow	Indoor	Heating (P-Hi/Hi/Me/Lo)	36 / 28 / 25 / 19	39 / 32 / 26 / 20	48 / 35 / 28 / 22
		Cooling/Heating	100 / 100	100 / 100	100 / 100
External static pressure*2			Pa	Standard:60 Max:200	
Exterior dimensions	Indoor	HeightxWidthxDepth	mm	280 x 1,370 x 740	
	Outdoor			1,300 x 970 x 370	
Net weight	Indoor		kg	54	
	Outdoor			105	
Ref.piping size			Liquid/Gas	ømm 9.52(3/8") / 15.88(5/8")	
Refrigerant line (one way) length			m	Max.100	
Vertical height differences			Outdoor is higher/lower	m Max.30 / Max.15	
Outdoor operating temperature range			°C	Cooling -15~43*3	
				Heating -20~20	
Air filter			Procure locally		
Remote control (option)			wired:RC-EX3A, RC-E5, RCH-E3 wireless:RCN-KIT4-E2		

R32			Micro Inverter		
Set model name			FDU100VNAWVH	FDU125VNAWVH	FDU140VNAWVH
Indoor unit			FDU100VH	FDU125VH	FDU140VH
Outdoor unit			FDC100VNA-W	FDC125VNA-W	FDC140VNA-W
Power source			1 Phase 220-240V, 50Hz / 220V, 60Hz		
Nominal cooling capacity (Min-Max)			kW 10.0 (4.0 ~ 11.2)	12.5 (5.0 ~ 14.0)	13.6 (5.0 ~ 14.5)
Nominal heating capacity (Min-Max)			kW 11.2 (4.0 ~ 12.5)	14.0 (4.0 ~ 16.0)	15.5 (4.0 ~ 16.5)
Power consumption			Cooling/Heating kW 2.99 / 2.66	4.36 / 3.69	5.13 / 4.21
EER/COP			Cooling/Heating 3.35 / 4.21	2.87 / 3.79	2.65 / 3.68
Inrush current			A 5	5	5
Max. current			26	26	27
Sound power level*1	Indoor	Cooling/Heating	65 / 65	67 / 67	70 / 70
	Outdoor	Cooling/Heating	69 / 70	71 / 71	72 / 73
Sound pressure level*1	Indoor	Cooling (P-Hi/Hi/Me/Lo)	dB(A) 44 / 38 / 36 / 30	45 / 40 / 34 / 29	47 / 40 / 35 / 30
		Heating (P-Hi/Hi/Me/Lo)		45 / 40 / 34 / 29	47 / 40 / 35 / 30
	Outdoor	Cooling/Heating	54 / 55	54 / 56	56 / 58
		Cooling (P-Hi/Hi/Me/Lo)	36 / 28 / 25 / 19	39 / 32 / 26 / 20	48 / 35 / 28 / 22
Air flow	Indoor	Heating (P-Hi/Hi/Me/Lo)	36 / 28 / 25 / 19	39 / 32 / 26 / 20	48 / 35 / 28 / 22
		Cooling/Heating	75 / 73	75 / 73	75 / 73
External static pressure*2			Pa	Standard:60 Max:200	
Exterior dimensions	Indoor	HeightxWidthxDepth	mm	280 x 1,370 x 740	
	Outdoor			845 x 970 x 370	
Net weight	Indoor		kg	54	
	Outdoor			77	
Ref.piping size			Liquid/Gas	ømm 9.52(3/8") / 15.88(5/8")	
Refrigerant line (one way) length			m	Max.50	
Vertical height differences			Outdoor is higher/lower	m Max.50 / Max.15	
Outdoor operating temperature range			°C	Cooling -15~50*3	
				Heating -20~20	
Air filter			Procure locally		
Remote control (option)			wired:RC-EX3A, RC-E5, RCH-E3 wireless:RCN-KIT4-E2		

NOTES:

<p>The data are measured under the following conditions(R410A : ISO-T1, R32 : ISO-T1, H1). Cooling:Indoor temp. of 27°CDB, 19°CWB, and outdoor temp. of 35°CDB. Heating:Indoor temp. of 20°CDB, and outdoor temp. of 7°CDB, 6°CWB.</p> <p>*1 : Indicates the value in an anechoic chamber. During operation these values are somewhat higher due to ambient conditions.</p> <p>*2 : External static pressure is changeable to be set by the remote control. MAX external static pressure is "High static pressure" setting. The values of sound pressure level become 5dB(A) higher at external static pressure of 200Pa.</p> <p>*3 : If a cooling operation is conducted when the outdoor air temperature is -5°C or lower, the outdoor unit should be installed at a place where it is not influenced by natural wind. If wind blows, the low pressure will drop and compressor frequency will increase, this will cause the capacity to drop and may cause the unit to break down.</p>

R32			Micro Inverter		
Set model name			FDU100VSAWVH	FDU125VSAWVH	FDU140VSAWVH
Indoor unit			FDU100VH	FDU125VH	FDU140VH
Outdoor unit			FDC100VSA-W	FDC125VSA-W	FDC140VSA-W
Power source			3 Phase 380-415V, 50Hz / 380V, 60Hz		
Nominal cooling capacity (Min~Max)			kW 10.0 (4.0 ~ 11.2)	12.5 (5.0 ~ 14.0)	13.6 (5.0 ~ 14.5)
Nominal heating capacity (Min~Max)			kW 11.2 (4.0 ~ 12.5)	14.0 (4.0 ~ 16.0)	15.5 (4.0 ~ 16.5)
Power consumption			Cooling/Heating kW 2.99 / 2.66	4.36 / 3.69	5.13 / 4.21
EER/COP			Cooling/Heating 3.35 / 4.21	2.87 / 3.79	2.65 / 3.68
Inrush current			A 5	5	5
Max. current			17	17	18
Sound power level*1	Indoor	Cooling/Heating	65 / 65	67 / 67	70 / 70
	Outdoor	Cooling/Heating	69 / 70	71 / 71	72 / 73
Sound pressure level*1	Indoor	Cooling (P-Hi/Hi/Me/Lo)	dB(A) 44 / 38 / 36 / 30	45 / 40 / 34 / 29	47 / 40 / 35 / 30
		Heating (P-Hi/Hi/Me/Lo)		45 / 40 / 34 / 29	47 / 40 / 35 / 30
	Outdoor	Cooling/Heating	54 / 65	54 / 56	56 / 58
		Cooling (P-Hi/Hi/Me/Lo)	36 / 28 / 25 / 19	39 / 32 / 26 / 20	48 / 35 / 28 / 22
Air flow	Indoor	Heating (P-Hi/Hi/Me/Lo)	m³/min 36 / 28 / 25 / 19	39 / 32 / 26 / 20	48 / 35 / 28 / 22
		Cooling/Heating		75 / 73	75 / 73
External static pressure*2			Pa	Standard:60 Max:200	
Exterior dimensions	Indoor	HeightxWidthxDepth	mm	280 x 1,370 x 740	
	Outdoor			845 x 970 x 370	
Net weight	Indoor		kg	54	
	Outdoor			78	
Ref.piping size	Liquid/Gas		ømm	9.52(3/8") / 15.88(5/8")	
Refrigerant line (one way) length			m	Max.50	
Vertical height differences			Outdoor is higher/lower	m Max.50 / Max.15	
Outdoor operating temperature range	Cooling		°C	-15~50*3	
	Heating			-20~20	
Air filter			Procure locally		
Remote control (option)			wired:RC-EX3A, RC-E5, RCH-E3 wireless:RCN-KIT4-E2		


R410A			Micro Inverter		
Set model name			FDU100VNAVH	FDU125VNAVH	FDU140VNAVH
Indoor unit			FDU100VH	FDU125VH	FDU140VH
Outdoor unit			FDC100VNA	FDC125VNA	FDC140VNA
Power source			1 Phase 220-240V, 50Hz / 220V, 60Hz		
Nominal cooling capacity (Min~Max)			kW 10.0 (4.0 ~ 11.2)	12.5 (5.0 ~ 14.0)	13.6 (5.0 ~ 14.5)
Nominal heating capacity (Min~Max)			kW 11.2 (4.0 ~ 12.5)	14.0 (4.0 ~ 16.0)	15.5 (4.0 ~ 16.5)
Power consumption			Cooling/Heating kW 2.84 / 2.78	4.36 / 3.69	4.93 / 4.21
EER/COP			Cooling/Heating 3.52 / 4.03	2.87 / 3.79	2.76 / 3.68
Inrush current			A 5	5	5
Max. current			26	26	27
Sound power level*1	Indoor	Cooling/Heating	65 / 65	67 / 67	70 / 70
	Outdoor	Cooling/Heating	70 / 70	71 / 71	73 / 73
Sound pressure level*1	Indoor	Cooling (P-Hi/Hi/Me/Lo)	dB(A) 44 / 38 / 36 / 30	45 / 40 / 34 / 29	47 / 40 / 35 / 30
		Heating (P-Hi/Hi/Me/Lo)		45 / 40 / 34 / 29	47 / 40 / 35 / 30
	Outdoor	Cooling/Heating	54 / 56	55 / 57	57 / 59
		Cooling (P-Hi/Hi/Me/Lo)	36 / 28 / 25 / 19	39 / 32 / 26 / 20	48 / 35 / 28 / 22
Air flow	Indoor	Heating (P-Hi/Hi/Me/Lo)	m³/min 36 / 28 / 25 / 19	39 / 32 / 26 / 20	48 / 35 / 28 / 22
		Cooling/Heating		75 / 73	75 / 73
External static pressure*2			Pa	Standard:60 Max:200	
Exterior dimensions	Indoor	HeightxWidthxDepth	mm	280 x 1,370 x 740	
	Outdoor			845 x 970 x 370	
Net weight	Indoor		kg	54	
	Outdoor			80	
Ref.piping size	Liquid/Gas		ømm	9.52(3/8") / 15.88(5/8")	
Refrigerant line (one way) length			m	Max.50	
Vertical height differences			Outdoor is higher/lower	m Max.50 / Max.15	
Outdoor operating temperature range	Cooling		°C	-15~50*3	
	Heating			-20~20	
Air filter			Procure locally		
Remote control (option)			wired:RC-EX3A, RC-E5, RCH-E3 wireless:RCN-KIT4-E2		


R410A			Micro Inverter		
Set model name			FDU100VSAVH	FDU125VSAVH	FDU140VSAVH
Indoor unit			FDU100VH	FDU125VH	FDU140VH
Outdoor unit			FDC100VSA	FDC125VSA	FDC140VSA
Power source			3 Phase 380-415V, 50Hz / 380V, 60Hz		
Nominal cooling capacity (Min~Max)			kW 10.0 (4.0 ~ 11.2)	12.5 (5.0 ~ 14.0)	13.6 (5.0 ~ 14.5)
Nominal heating capacity (Min~Max)			kW 11.2 (4.0 ~ 12.5)	14.0 (4.0 ~ 16.0)	15.5 (4.0 ~ 16.5)
Power consumption			Cooling/Heating kW 2.84 / 2.78	4.36 / 3.69	4.93 / 4.21
EER/COP			Cooling/Heating 3.52 / 4.03	2.87 / 3.79	2.76 / 3.68
Inrush current			A 5	5	5
Max. current			17	17	18
Sound power level*1	Indoor	Cooling/Heating	65 / 65	67 / 67	70 / 70
	Outdoor	Cooling/Heating	70 / 70	71 / 71	73 / 73
Sound pressure level*1	Indoor	Cooling (P-Hi/Hi/Me/Lo)	dB(A) 44 / 38 / 36 / 30	45 / 40 / 34 / 29	47 / 40 / 35 / 30
		Heating (P-Hi/Hi/Me/Lo)		45 / 40 / 34 / 29	47 / 40 / 35 / 30
	Outdoor	Cooling/Heating	54 / 56	55 / 57	57 / 59
		Cooling (P-Hi/Hi/Me/Lo)	36 / 28 / 25 / 19	39 / 32 / 26 / 20	48 / 35 / 28 / 22
Air flow	Indoor	Heating (P-Hi/Hi/Me/Lo)	m³/min 36 / 28 / 25 / 19	39 / 32 / 26 / 20	48 / 35 / 28 / 22
		Cooling/Heating		75 / 73	75 / 73
External static pressure*2			Pa	Standard:60 Max:200	
Exterior dimensions	Indoor	HeightxWidthxDepth	mm	280 x 1,370 x 740	
	Outdoor			845 x 970 x 370	
Net weight	Indoor		kg	54	
	Outdoor			82	
Ref.piping size			Liquid/Gas	ømm 9.52(3/8") / 15.88(5/8")	
Refrigerant line (one way) length			m	Max.50	
Vertical height differences			Outdoor is higher/lower	m Max.50 / Max.15	
Outdoor operating temperature range			Cooling	°C -15~50*3	
				Heating	-20~20
Air filter			Procure locally		
Remote control (option)			wired:RC-EX3A, RC-E5, RCH-E3 wireless:RCN-KIT4-E2		

R410A			Micro Inverter		
Set model name			FDU200VSAVG	FDU250VSAVG	
Indoor unit			FDU200VG	FDU250VG	
Outdoor unit			FDC200VSA	FDC250VSA	
Power source			3 Phase 380-415V, 50Hz / 380V, 60Hz		
Nominal cooling capacity (Min~Max)			kW 19.0 (5.2 ~ 22.4)	24.0 (6.9 ~ 28.0)	
Nominal heating capacity (Min~Max)			kW 22.4 (3.3 ~ 25.0)	27.0 (5.5 ~ 31.5)	
Power consumption			Cooling/Heating kW 6.15 / 6.03	7.98 / 7.20	
EER/COP			Cooling/Heating 3.09 / 3.71	3.01 / 3.75	
Inrush current			A 5	5	
Max. current			25	27	
Sound power level*1	Indoor	Cooling/Heating	75 / 75	75 / 75	
	Outdoor	Cooling/Heating	72 / 74	73 / 75	
Sound pressure level*1	Indoor	Cooling (P-Hi/Hi/Me/Lo)	dB(A) 52 / 50 / 47 / 45	52 / 50 / 47 / 45	
		Heating (P-Hi/Hi/Me/Lo)		52 / 50 / 47 / 45	
	Outdoor	Cooling/Heating	58 / 59	59 / 62	
		Cooling (P-Hi/Hi/Me/Lo)	80 / 72 / 64 / 56	80 / 72 / 64 / 56	
Air flow	Indoor	Heating (P-Hi/Hi/Me/Lo)	m³/min 80 / 72 / 64 / 56	80 / 72 / 64 / 56	
		Cooling/Heating		135 / 135	143 / 151
External static pressure*2			Pa	Standard:72 Max:200	
Exterior dimensions	Indoor	HeightxWidthxDepth	mm	379 x 1,600 x 893	
	Outdoor			1,300 x 970 x 370	
Net weight	Indoor		kg	89	
	Outdoor			143	
Ref.piping size			Liquid/Gas	ømm 9.52(3/8") / 25.4(1")	
Refrigerant line (one way) length			m	Max.70	
Vertical height differences			Outdoor is higher/lower	m Max.30 / Max.15	
Outdoor operating temperature range			Cooling	°C -15~50*3	
				Heating	-15~20
Air filter			Procure locally		
Remote control (option)			wired:RC-EX3A, RC-E5, RCH-E3 wireless:RCN-KIT4-E2		

NOTES:

<p>The data are measured under the following conditions(R410A : ISO-T1, R32 : ISO-T1, H1). Cooling:Indoor temp. of 27°CDB, 19°CWB, and outdoor temp. of 35°CDB. Heating:Indoor temp. of 20°CDB, and outdoor temp. of 7°CDB, 6°CWB. *1 : Indicates the value in an anechoic chamber. During operation these values are somewhat higher due to ambient conditions. *2 : External static pressure is changeable to be set by the remote control. MAX external static pressure is "High static pressure" setting. The values of sound pressure level become 5dB(A) higher at external static pressure of 200Pa. *3 : If a cooling operation is conducted when the outdoor air temperature is -5°C or lower, the outdoor unit should be installed at a place where it is not influenced by natural wind. If wind blows, the low pressure will drop and compressor frequency will increase, this will cause the capacity to drop and may cause the unit to break down.</p>
--

 R32			Standard Inverter		
Set model name			FDU71VNPVH	FDU90VNPVH	FDU100VNPVH
Indoor unit			FDU71VH	FDU100VH	FDU100VH
Outdoor unit			FDC71VNP-W	FDC90VNP-W	FDC100VNP-W
Power source			1 Phase 220-240V, 50Hz / 220V, 60Hz		
Nominal cooling capacity (Min~Max)			kW 7.1 (1.5 ~ 7.3)	9.0 (2.1 ~ 9.5)	10.0 (2.1 ~ 10.2)
Nominal heating capacity (Min~Max)			kW 7.1 (1.1 ~ 7.3)	9.0 (1.7 ~ 9.5)	10.0 (2.1 ~ 10.4)
Power consumption			Cooling/Heating kW 2.60 / 1.89	2.62 / 1.98	3.08 / 2.45
EER/COP			Cooling/Heating 2.73. / 3.76	3.44 / 4.55	3.25 / 4.08
Inrush current			A 5	5	5
Max. current			15.8	19	19
Sound power level* ¹	Indoor	Cooling/Heating	65 / 65	65 / 65	65 / 65
	Outdoor	Cooling/Heating	67 / 67	67 / 66	68 / 67
Sound pressure level* ¹	Indoor	Cooling (P-Hi/Hi/Me/Lo)	dB(A) 38 / 33 / 29 / 25		
		Heating (P-Hi/Hi/Me/Lo)	38 / 33 / 29 / 25		
	Outdoor	Cooling/Heating	54 / 54		
			55 / 53		
Air flow	Indoor	Cooling (P-Hi/Hi/Me/Lo)	m ³ /min 24 / 19 / 15 / 10		
		Heating (P-Hi/Hi/Me/Lo)	24 / 19 / 15 / 10		
	Outdoor	Cooling/Heating	42 / 42		
			59 / 55		
External static pressure* ²			Pa Standard:35 Max:200	Standard:60 Max:200	
Exterior dimensions	Indoor	HeightxWidthxDepth	mm 280 x 950 x 635		
	Outdoor		640 x 800(+71) x 290		
Net weight	Indoor		kg 34		
	Outdoor		45		
Ref.piping size	Liquid/Gas	ømm	6.35(1/4") / 12.7(1/2")		
Refrigerant line (one way) length			m Max.30		
Vertical height differences			m Max.20 / Max.20		
Outdoor operating temperature range	Cooling	°C	-15~46* ³		
	Heating		-15~20		
Air filter			Procure locally		
Remote control (option)			wired:RC-EX3A, RC-E5, RCH-E3 wireless:RCN-KIT4-E2		

 R410A			Standard Inverter		
Set model name			FDU71VNPVH	FDU90VNP1VH	FDU100VNP1VH
Indoor unit			FDU71VH	FDU100VH	FDU100VH
Outdoor unit			FDC71VNP	FDC90VNP1	FDC100VNP
Power source			1 Phase 220-240V, 50Hz / 220V, 60Hz		
Nominal cooling capacity (Min~Max)			kW 7.1 (1.4 ~ 7.1)	9.0 (1.9 ~ 9.0)	10.0 (2.8 ~ 11.2)
Nominal heating capacity (Min~Max)			kW 7.1 (1.0 ~ 7.1)	9.0 (1.5 ~ 9.0)	11.2 (2.5 ~ 12.5)
Power consumption			Cooling/Heating kW 2.60 / 1.89	2.69 / 2.25	3.00 / 2.93
EER/COP			Cooling/Heating 2.73. / 3.76	3.35 / 4.00	3.33 / 3.82
Inrush current			A 5	5	5
Max. current			14.5	18	22
Sound power level* ¹	Indoor	Cooling/Heating	65 / 65	65 / 65	65 / 65
	Outdoor	Cooling/Heating	67 / 67	69 / 69	70 / 70
Sound pressure level* ¹	Indoor	Cooling (P-Hi/Hi/Me/Lo)	dB(A) 38 / 33 / 29 / 25		
		Heating (P-Hi/Hi/Me/Lo)	38 / 33 / 29 / 25		
	Outdoor	Cooling/Heating	54 / 54		
			57 / 55		
Air flow	Indoor	Cooling (P-Hi/Hi/Me/Lo)	m ³ /min 24 / 19 / 15 / 10		
		Heating (P-Hi/Hi/Me/Lo)	24 / 19 / 15 / 10		
	Outdoor	Cooling/Heating	36 / 36		
			63 / 49.5		
External static pressure* ²			Pa Standard:35 Max:200	Standard:60 Max:200	
Exterior dimensions	Indoor	HeightxWidthxDepth	mm 280 x 950 x 635		
	Outdoor		640 x 800(+71) x 290		
Net weight	Indoor		kg 34		
	Outdoor		45		
Ref.piping size	Liquid/Gas	ømm	6.35(1/4") / 12.7(1/2")		
Refrigerant line (one way) length			m Max.30		
Vertical height differences			m Max.20 / Max.20		
Outdoor operating temperature range	Cooling	°C	-15~46* ³		
	Heating		-15~20		
Air filter			Procure locally		
Remote control (option)			wired:RC-EX3A, RC-E5, RCH-E3 wireless:RCN-KIT4-E2		