

Data sheet

Solenoid coils



Danfoss solenoid valves and coils are usually ordered separately to allow maximum flexibility, enabling you to select a valve and coil combination to best suit your needs.

The Danfoss coil program consists of both the easy-to-handle Clip-On system and traditional coils with threaded fastener.

Danfoss offer a wide range of application specific coils for e.g. steam or hazardous areas. The coils are available with approvals such as EN60730-1, EEx/ATEX and UL.

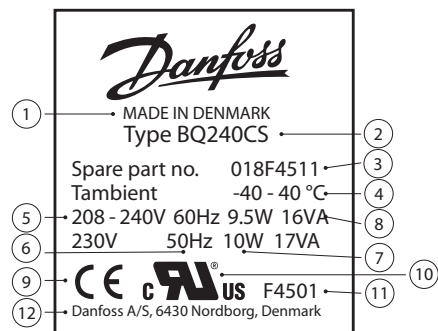
Features

- Encapsulated coils with long operating life, even under extreme conditions
- Standard coils for AC or DC
- Standard coils from 12 V – 400 V, 50, 60 or 50 / 60 Hz
- Coils can be fitted without use of tools
- Coils can only be removed with use of tools
- Standard coils available with:
 - Cable plugs
 - Industrial plugs
 - Terminal box
 - 3 core cable
 - Junction box
 - Conduit hub

Coil identification

Technical data is printed directly on the coil:

- ① Country of origin
- ② Coil type
- ③ Spare part no. (code no.)
- ④ Ambient temperature
(-40 – 40 °C = Ambient temperature range: -40 °C – 40 °C)
- ⑤ Supply voltage [V]
- ⑥ Frequency [Hz]
- ⑦ Power consumption [W]
- ⑧ Power consumption [VA]
- ⑨ CE marking
- ⑩ UL recognized coil
- ⑪ Raw coil number
(F4501=Raw coil number 018F4501)
- ⑫ Point of contact



BA, High performance coils



- Cable plug enclosure:
 - IP00 version with DIN 43650 A spade connectors
 - IP20 version with protective cap
 - IP65 version with cable plug
- Nut and snap fastener included
- In accordance with:
 - RoHS Directive 2011/65/EU
 - Low Voltage Directive 2014/35/EU
 - EN60730-1
 - EN60730-2-8

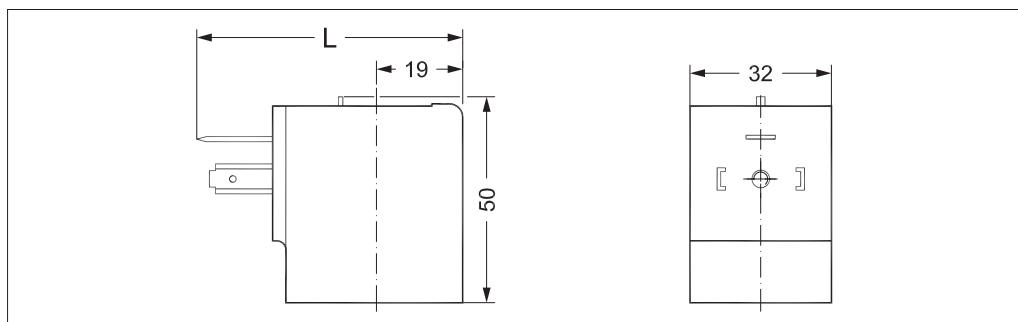
| Type | Tambient [°C] | Supply voltage [V] | Voltage variation | Frequency [Hz] | Power consumption | | Code no. |
|--------|------------------|-----------------------|-------------------|-------------------|-------------------|------|----------|
| | | | | | [W] | [VA] | |
| BA024A | -40 – 40 | 24 | -15%, 10% | 50 | 8.5 | 17 | 042N7508 |
| BA048A | -40 – 40 | 48 | -15%, 10% | 50 | 9.5 | 18 | 042N7510 |
| BA115A | -40 – 40 | 115 | -15%, 10% | 50 | 9.0 | 18 | 042N7512 |
| BA230A | -40 – 40 | 220 – 230 | -15%, 6% | 50 | 12 | 22 | 042N7501 |
| BA240A | -40 – 40 | 240 | -15%, 10% | 50 | 10 | 20 | 042N7502 |
| BA400A | -40 – 40 | 380 – 400 | -15%, 6% | 50 | 12 | 22 | 042N7504 |
| BA024B | -40 – 40 | 24 | -15%, 10% | 60 | 9.5 | 19 | 042N7520 |
| BA115B | -40 – 40 | 115 | -15%, 10% | 60 | 12 | 23 | 042N7522 |
| BA220B | -40 – 40 | 220 | -15%, 10% | 60 | 11 | 21 | 042N7523 |
| BA012D | -40 – 40 | 12 | ±10% | DC | 14 | – | 042N7550 |
| BA024D | -40 – 40 | 24 | ±10% | DC | 14 | – | 042N7551 |

Technical data

| | |
|------------------------------------|---|
| Design | In accordance with VDE 0580 |
| Insulation of coil windings | Class H according to IEC 85 |
| Connection | Spade connector in accordance with DIN 43650 form A |
| Enclosure, IEC 529 | IP00 with spade connector, IP20 with protective cap, IP65 with cable plug |
| Duty rating | Continuous |
| Plug type | Cable plug (042N0156) |

Dimensions and weight

| Type | L without cable plug [mm] | L with protective cap [mm] | L with cable plug [mm] | Weight [kg] |
|------|---------------------------------|----------------------------------|------------------------------|----------------|
| BA | 54 | 71 | 79 | 0.16 |



BD, High performance coils



- Cable plug enclosure:
 - IP00 version with DIN 43650 A spade connectors
 - IP20 version with protective cap
 - IP65 version with cable plug
- Nut and snap fastener included
- In accordance with:
 - RoHS Directive 2011/65/EU
 - Low Voltage Directive 2014/35/EU
 - EN60730-1
 - EN60730-2-8

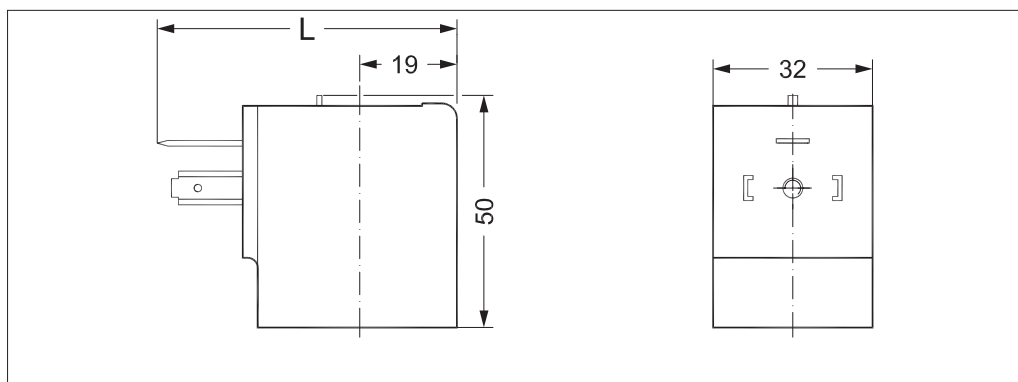
| Type | Tambient [°C] | Supply voltage [V] | Voltage variation | Frequency [Hz] | Power consumption | | Code no. |
|--------|------------------|-----------------------|-------------------|-------------------|-------------------|------|----------|
| | | | | | [W] | [VA] | |
| BD024A | -40 – 40 | 24 | -15%, 10% | 50 | 15 | 29 | 042N7597 |
| BD230A | -40 – 40 | 230 | -10%, 6% | 50 | 14 | 28 | 042N7591 |

Technical data

| | |
|------------------------------------|---|
| Design | In accordance with VDE 0580 |
| Insulation of coil windings | Class H according to IEC 85 |
| Connection | Spade connector in accordance with DIN 43650 form A |
| Enclosure, IEC 529 | IP00 with spade connector, IP20 with protective cap, IP65 with cable plug |
| Duty rating | Continuous |
| Plug type | Cable plug (042N0156) |

Dimensions and weight

| Type | L without cable plug [mm] | L with protective cap [mm] | L with cable plug [mm] | Weight [kg] |
|------|---------------------------------|----------------------------------|------------------------------|----------------|
| BD | 54 | 71 | 79 | 0.16 |



BB, High performance coils



- Enclosure:
 - IP00 version with DIN 43650 A spade connectors
 - IP20 version with protective cap
 - IP65 version with mounted cable plug
- In accordance with:
 - RoHS Directive 2011/65/EU
 - Low Voltage Directive 2014/35/EU
 - EN60730-1
 - EN60730-2-8

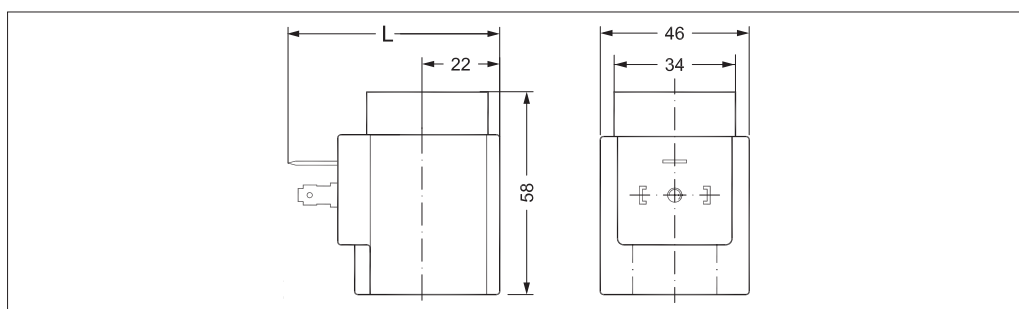
| Type | Tambient [°C] | Supply voltage [V] | Voltage variation | Frequency [Hz] | Power consumption | | Code no. |
|---------|------------------|-----------------------|-------------------|-------------------|-------------------|------|----------|
| | | | | | [W] | [VA] | |
| BB024AS | -40 – 80 | 24 | -15%, 10% | 50 | 11 | 19 | 018F7358 |
| BB115AS | -40 – 80 | 115 | -15%, 10% | 50 | 11 | 19 | 018F7361 |
| BB230AS | -40 – 80 | 220 – 230 | -15%, 10% | 50 | 11 | 19 | 018F7351 |
| BB240AS | -40 – 80 | 240 | -15%, 10% | 50 | 11 | 19 | 018F7352 |
| BB440CS | -40 – 50 | 380 – 400 | -15%, 10% | 50 | 14 | 24 | 018F7353 |
| | | 440 | -15%, 10% | 60 | 15 | 24 | |
| BB024BS | -40 – 80 | 24 | -15%, 10% | 60 | 14 | 23 | 018F7365 |
| BB110CS | -40 – 50 | 110 | ±10% | 50 | 15 | 28 | 018F7360 |
| | | 110 | ±10% | 60 | 13 | 22 | |
| BB230CS | -40 – 50 | 220 – 230 | ±10% | 50 | 16 | 31 | 018F7363 |
| | | 220 – 230 | ±10% | 60 | 13 | 24 | |
| BB012DS | -40 – 50 | 12 | ±10% | DC | 14 | – | 018F7396 |
| BB024DS | -40 – 50 | 24 | ±10% | DC | 16 | – | 018F7397 |

Technical data

| | |
|-----------------------------|---|
| Design | In accordance with VDE 0580 |
| Insulation of coil windings | Class H according to IEC 85 |
| Connection | Spade connector in accordance with DIN 43650 form A |
| Enclosure, IEC 529 | IP00 with spade connector, IP20 with protective cap, IP65 with cable plug |
| Duty rating | Continuous |
| Plug type | Cable plug (042N0156) |

Dimensions and weight

| Type | L without cable plug [mm] | L with protective cap [mm] | L with cable plug [mm] | Weight [kg] |
|------|---------------------------------|----------------------------------|------------------------------|----------------|
| BB | 62 | 77 | 85 | 0.24 |



BE, High performance coils



- Enclosure: IP67 for moist environments with terminal box
- In accordance with:
 - RoHS Directive 2011/65/EU
 - Low Voltage Directive 2014/35/EU
 - EN60730-1
 - EN60730-2-8

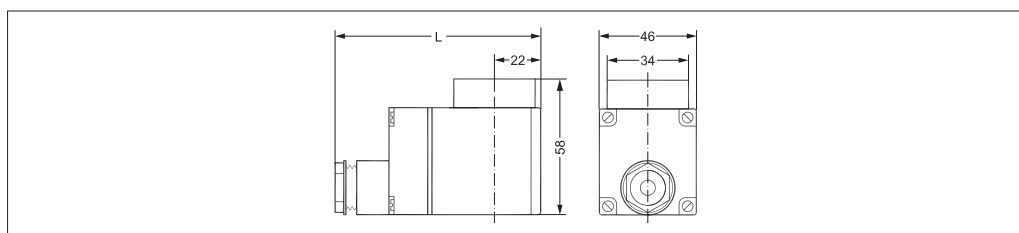
| Type | Tambient [°C] | Supply voltage [V] | Voltage variation | Frequency [Hz] | Power consumption | | Code no. |
|---------|---------------|--------------------|-------------------|----------------|-------------------|------|----------|
| | | | | | [W] | [VA] | |
| BE024AS | -40 – 80 | 24 | -15%, 10% | 50 | 12 | 21 | 018F6707 |
| BE048AS | -40 – 80 | 48 | -15%, 10% | 50 | 11 | 20 | 018F6709 |
| BE115AS | -40 – 80 | 115 | -15%, 10% | 50 | 11 | 19 | 018F6711 |
| BE230AS | -40 – 80 | 220 – 230 | -15%, 10% | 50 | 12 | 22 | 018F6701 |
| BE240AS | -40 – 80 | 240 | -15%, 10% | 50 | 11 | 19 | 018F6702 |
| BE440CS | -40 – 80 | 380 – 400 | -15%, 10% | 50 | 13 | 23 | 018F6703 |
| | | 440 | -15%, 10% | 60 | 14 | 24 | |
| BE024BS | -40 – 80 | 24 | -15%, 10% | 60 | 14 | 25 | 018F6715 |
| BE115CS | -40 – 80 | 100 | -15%, 10% | 50 | 11 | 19 | 018F6710 |
| | | 115 | -15%, 10% | 60 | 13 | 22 | |
| BE220BS | -40 – 80 | 220 | -15%, 10% | 60 | 13 | 23 | 018F6714 |
| BE110CS | -40 – 50 | 110 | ±10% | 50 | 15 | 28 | 018F6730 |
| | -40 – 50 | 110 | ±10% | 60 | 13 | 22 | |
| BE230CS | -40 – 50 | 220 – 230 | ±10% | 50 | 17 | 31 | 018F6732 |
| | | 220 – 230 | ±10% | 60 | 14 | 24 | |
| BE012DS | -40 – 50 | 12 | ±10% | DC | 15 | – | 018F6756 |
| BE024DS | -40 – 50 | 24 | ±10% | DC | 16 | – | 018F6757 |

Technical data

| | |
|-----------------------------|-----------------------------|
| Design | In accordance with VDE 0580 |
| Insulation of coil windings | Class H according to IEC 85 |
| Connection | Terminal box |
| Enclosure, IEC 529 | IP67 |
| Duty rating | Continuous |
| Plug type | Terminal box |

Dimensions and weight

| Type | L with terminal box [mm] | L with 1m cable [mm] | Weight [kg] |
|------|--------------------------|----------------------|-------------|
| BE | 94 | 65 | 0.30 |



BF, High performance coils



- Enclosure: IP67 for moist environments with molded-in cable
- In accordance with:
 - RoHS Directive 2011/65/EU
 - Low Voltage Directive 2014/35/EU
 - EN60730-1
 - EN60730-2-8

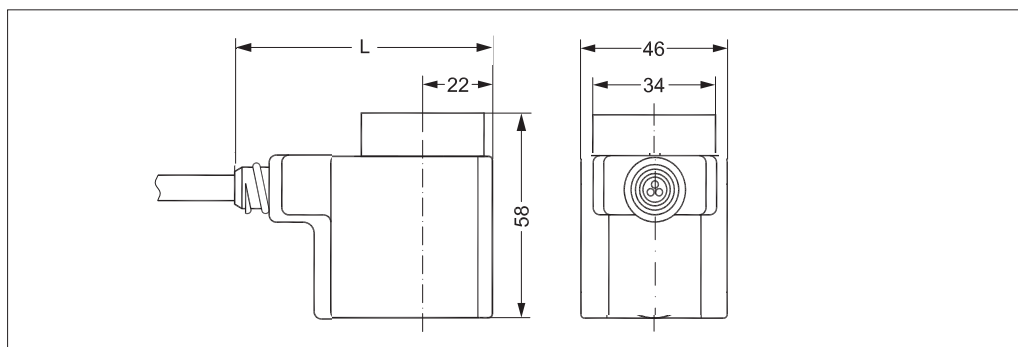
| Type | Tambient [°C] | Supply voltage [V] | Voltage variation | Frequency [Hz] | Power consumption | | Code no. |
|---------|---------------|--------------------|-------------------|----------------|-------------------|------|----------|
| | | | | | [W] | [VA] | |
| BF230AS | -40 – 80 | 220 – 230 | -15%, 10% | 50 | 12 | 22 | 018F6251 |
| BF240AS | -40 – 80 | 240 | -15%, 10% | 50 | 11 | 19 | 018F6252 |
| BF440CS | -40 – 80 | 380 – 400 | -15%, 10% | 50 | 14 | 24 | 018F6253 |
| | | 440 | -15%, 10% | 60 | 15 | 24 | |
| BF024AS | -40 – 80 | 24 | -15%, 10% | 50 | 12 | 20 | 018F6257 |
| BF115CS | -40 – 80 | 100 | -15%, 10% | 50 | 11 | 19 | 018F6260 |
| | | 115 | -15%, 10% | 60 | 13 | 22 | |
| BF220BS | -40 – 80 | 220 | -15%, 10% | 60 | 14 | 23 | 018F6264 |
| BF024BS | -40 – 80 | 24 | -15%, 10% | 60 | 14 | 25 | 018F6265 |
| BF110CS | -40 – 50 | 110 | ±10% | 50 | 15 | 29 | 018F6280 |
| | | 110 | ±10% | 60 | 13 | 23 | |
| BF230CS | -40 – 50 | 220 – 230 | ±10% | 50 | 16 | 31 | 018F6282 |
| | | 220 – 230 | ±10% | 60 | 14 | 24 | |

Technical data

| | |
|-----------------------------|-----------------------------|
| Design | In accordance with VDE 0580 |
| Insulation of coil windings | Class H according to IEC 85 |
| Connection | 1 m 3-core flying lead |
| Enclosure, IEC 529 | IP67 |
| Duty rating | Continuous |

Dimensions and weight

| Type | L with 1m cable [mm] | Weight [kg] |
|------|----------------------|-------------|
| BF | 67 | 0.30 |



BG, High performance coils



- Enclosure: IP67 for moist environments with terminal box
- In accordance with:
 - RoHS Directive 2011/65/EU
 - Low Voltage Directive 2014/35/EU
 - EN60730-1
 - EN60730-2-8

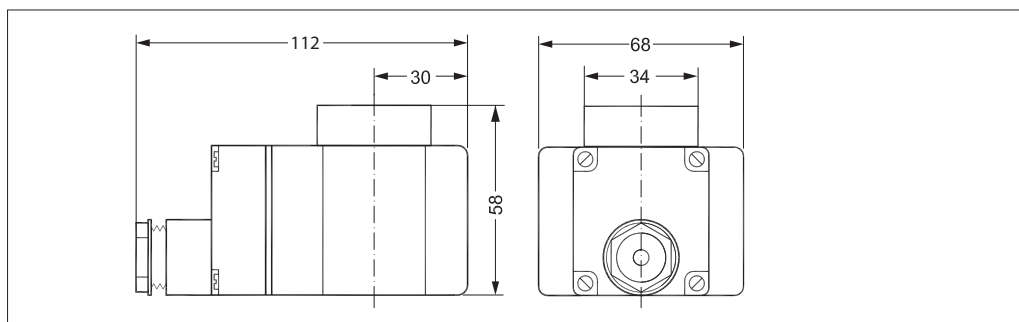
| Type | Tambient [°C] | Supply voltage [V] | Voltage variation | Frequency [Hz] | Power consumption | | Code no. |
|---------|------------------|-----------------------|-------------------|-------------------|-------------------|------|----------|
| | | | | | [W] | [VA] | |
| BG024AS | -40 – 80 | 24 | -15%, 10% | 50 | 11 | 21 | 018F6807 |
| BG110AS | -40 – 80 | 110 | -15%, 10% | 50 | 13 | 25 | 018F6811 |
| BG230AS | -40 – 80 | 220 – 230 | -15%, 10% | 50 | 15 | 28 | 018F6801 |
| BG240AS | -40 – 80 | 240 | -15%, 10% | 50 | 13 | 25 | 018F6802 |
| BG400AS | -40 – 80 | 380 – 400 | -15%, 10% | 50 | 15 | 29 | 018F6803 |
| BG024BS | -40 – 80 | 24 | -15%, 10% | 60 | 15 | 29 | 018F6815 |
| BG110BS | -40 – 80 | 110 | -15%, 10% | 60 | 16 | 29 | 018F6813 |
| BG220BS | -40 – 80 | 220 | -15%, 10% | 60 | 16 | 29 | 018F6814 |
| BG012DS | -40 – 50 | 12 | ±10% | DC | 20 | – | 018F6856 |
| BG024DS | -40 – 50 | 24 | ±10% | DC | 16 | – | 018F6857 |

Technical data

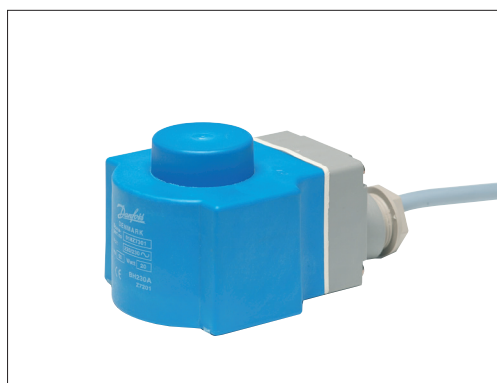
| | |
|-----------------------------|-----------------------------|
| Design | In accordance with VDE 0580 |
| Insulation of coil windings | Class H according to IEC 85 |
| Connection | Terminal box |
| Enclosure, IEC 529 | IP67 |
| Duty rating | Continuous |
| Plug type | Terminal box |

Dimensions and weight

| Type | L with terminal box [mm] | Weight [kg] |
|------|--------------------------------|----------------|
| BG | 112 | 0.50 |



BN, High performance coils
Hum-free



- Hum-free
- Enclosure: IP67 for moist environments with flying lead
- In accordance with:
 - RoHS Directive 2011/65/EU
 - Low Voltage Directive 2014/35/EU
 - EN60730-1
 - EN60730-2-8

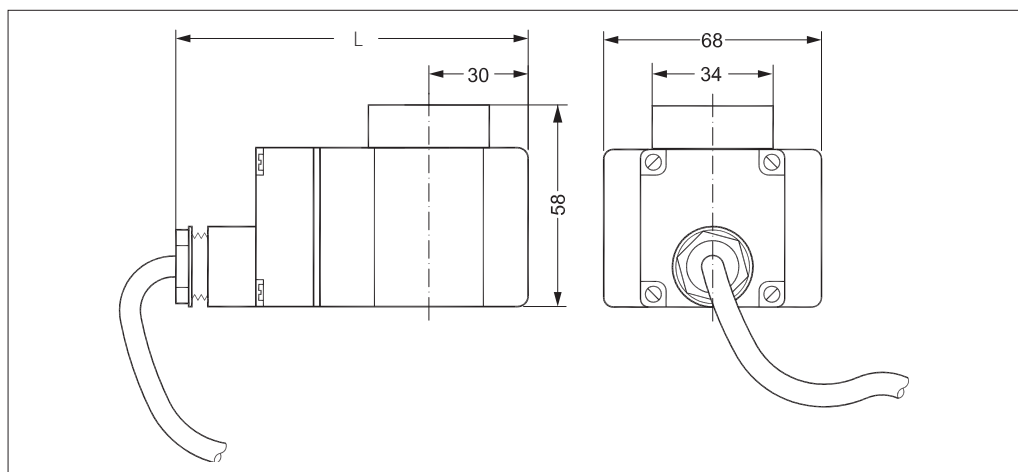
| Type | Tambient [°C] | Supply voltage [V] | Voltage variation | Frequency [Hz] | Power consumption | | Code no. |
|---------|------------------|-----------------------|-------------------|-------------------|-------------------|------|----------|
| | | | | | [W] | [VA] | |
| BN230CS | -40 – 50 | 220 – 230 | ±10% | 50 | 22 | 24 | 018F7301 |
| | | 220 – 230 | ±10% | 60 | 22 | 24 | |

Technical data

| | |
|-----------------------------|-----------------------------|
| Design | In accordance with VDE 0580 |
| Insulation of coil windings | Class H according to IEC 85 |
| Connection | 1 m 3-core flying lead |
| Enclosure, IEC 529 | IP67 |
| Duty rating | Continuous |

Dimensions and weight

| Type | L with 1m cable [mm] | Weight [kg] |
|------|----------------------------|----------------|
| BN | 112 | 0.60 |



**BN, High performance coils
Center boss**



- Enclosure:
 - Center boss for mounting IP65 cable plug in accordance with DIN43650 form A (042N0156)
 - IP67 for moist environments with terminal box
- Used with EV215B, EV225B, and EV245B up to 160 °C low pressure steam and max. ambient temperature 40 °C (see additional information in the respective solenoid valve data sheets)
- In accordance with:
 - RoHS Directive 2011/65/EU
 - Low Voltage Directive 2014/35/EU
 - EN60730-1
 - EN60730-2-8
- Mounted with the solenoid valves EV210B, EV220B, EV215B and EV225B, the assembly is UL recognized

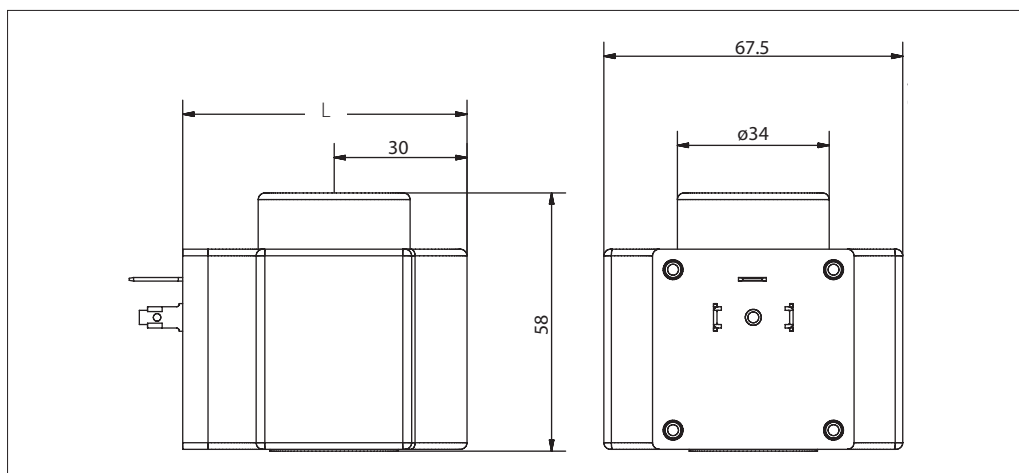
| Type | Tambient [°C] | Supply voltage [V] | Voltage variation | Frequency [Hz] | Power consumption | | Approval | Code no. |
|---------|------------------|-----------------------|-------------------|-------------------|-------------------|------|----------|----------|
| | | | | | [W] | [VA] | | |
| BN024DS | -40 – 50 | 24 | ±10% | DC | 20 | – | | 018F6968 |

Technical data

| | |
|-----------------------------|---|
| Design | In accordance with VDE 0580 |
| Insulation of coil windings | Class H according to IEC 85 |
| Connection | Cable plug in accordance with DIN43650 form A or terminal box |
| Enclosure, IEC 529 | IP65, IP67 |
| Duty rating | Continuous |

Dimensions and weight

| Type | L [mm] | Weight [kg] |
|------|-----------|----------------|
| BN | 64 | 0.47 |



BO, High performance coils



- ATEX Zone 1
- Enclosure: IP67 seal kit for moist environment included
- Approved in accordance with
 - ATEX 2014/34/EU
 - Ex mb IIC T4 Gb
 - ITS 09 ATEX 16835X
- Media temperature: Up to 90 °C

| Type | Tambient [°C] | Supply voltage [V] | Voltage variation | Frequency [Hz] | Power consumption | | Code no. |
|--------|---------------|--------------------|-------------------|----------------|-------------------|------|----------|
| | | | | | [W] | [VA] | |
| BO024C | -40 – 60 | 24 | ±10% | 50 / 60 | 10 | 21 | 018Z6595 |
| BO110C | -40 – 60 | 110 | ±10% | 50 / 60 | 10 | 21 | 018Z6593 |
| BO230C | -40 – 60 | 230 | ±10% | 50 / 60 | 10 | 21 | 018Z6592 |
| BO240C | -40 – 60 | 240 | ±10% | 50 / 60 | 10 | 21 | 018Z6591 |
| BO024D | -40 – 60 | 24 | ±10% | DC | 10 | - | 018Z6596 |

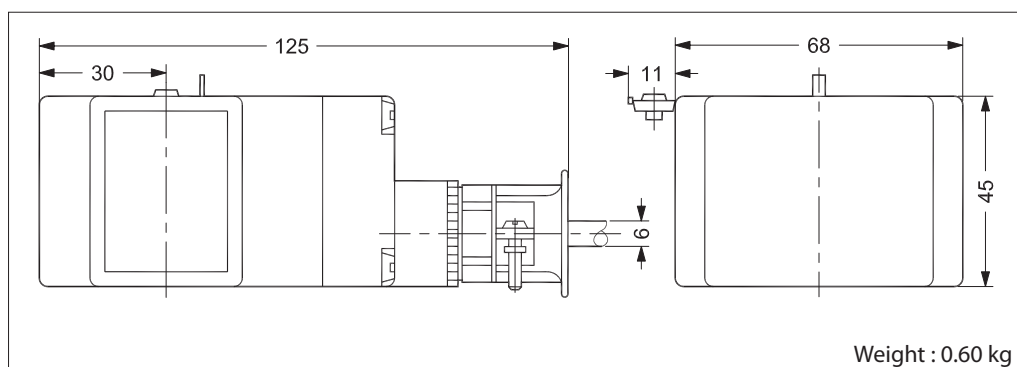
Technical data

| | |
|-----------------------------|--|
| Insulation of coil windings | Class H according to IEC 85 |
| Connection | 5 m 3 x 0.75 mm ² flexible cord |
| Enclosure, IEC 529 | IP67 including seal kit |
| Media temperature | -40 °C – 90 °C |
| Duty rating | Continuous |
| Humidity | 0 – 100% |
| Pollution degree | 3 (EN60730-1) |
| Impulse withstand voltage | 2.5 kV (EN60730-1) |

Accessory

| Description | Application | Code no. |
|---------------------------------|--------------------------------------|----------|
| Seal kit (included as standard) | Wet environment (pollution degree 3) | 018Z0090 |

Dimensions and weight



**BJ, High performance coils
Junction box**



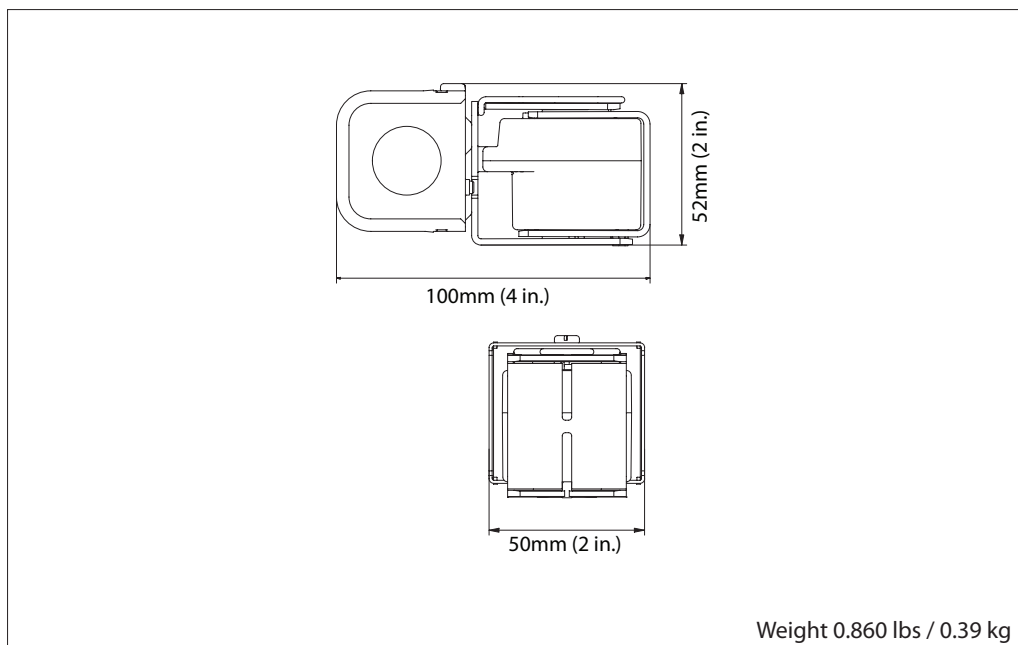
- Enclosure: IP30 / NEMA 2
- For UL listed valves (UL 429 and CSA)
- Ambient temperature: Up to 50 °C / 122 °F
- Media temperature: Up to 185 °C / 364 °F steam

| Valve type | Coil type | Voltage tolerance | Supply voltage [V] | Frequency [Hz] | Power consumption [W] | Wire length | | Code no. |
|-------------|-----------|-------------------|--------------------|----------------|-----------------------|-------------|------|-----------------|
| | | | | | | [in.] | [cm] | |
| EV220B 6-50 | BJ024CS | ±10% | 24 | 50 / 60 | 14 | 7 | 18 | 018F4100 |
| EV210B | BJ120CS | ±10% | 110 | 50 / 60 | 16 | 7 | 18 | 018F4110 |
| EV215B | | | 120 | 60 | 15 | | | |
| EV225B | BJ240CS | ±10% | 208 – 240 | 60 | 14 | 7 | 18 | 018F4120 |
| EV250B | | | 230 | 50 | 17 | | | |

Technical data

| | |
|-----------------------------|---------------------------------|
| Design | In accordance with UL 429 |
| Power consumption, cut in | 49 VA |
| Insulation of coil windings | Class H according to IEC 85 |
| Connection | Junction box |
| Enclosure, IEC 529 | Junction box NEMA 2 ~ IP12 – 30 |
| Ambient temperature | -40 – 50 °C / -40 – 122 °F |

Dimensions and weight



**BX, High performance coils
Conduit hub**



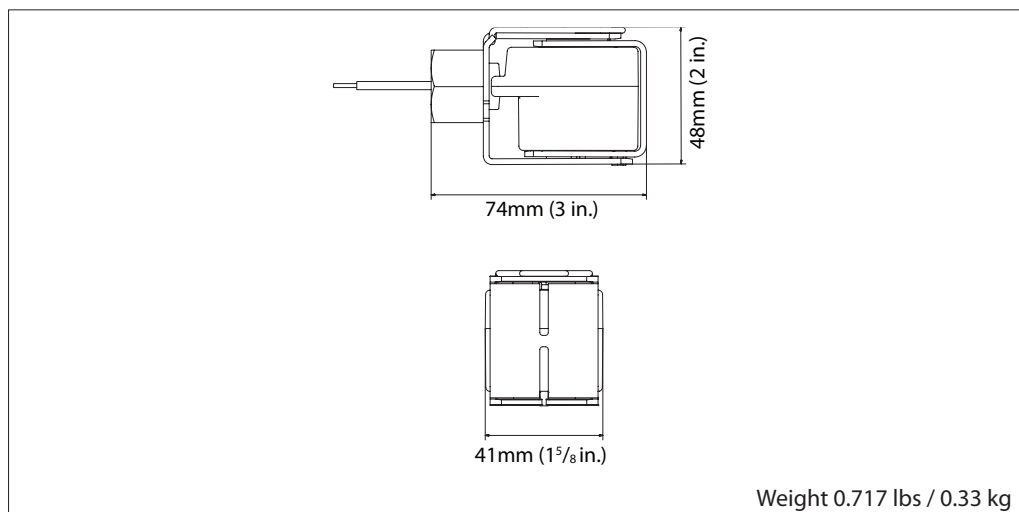
- Enclosure: IP54 / NEMA 4
- For UL listed valves (UL 429 and CSA)
- Ambient temperature: Up to 50 °C / 122 °F
- Media temperature: Up to 185 °C / 364 °F steam

| Valve type | Coil type | Voltage tolerance | Supply voltage [V] | Frequency [Hz] | Power consumption [W] | Wire length | | Code no. |
|---|-----------|-------------------|--------------------|----------------|-----------------------|-------------|------|-----------------|
| | | | | | | [in.] | [cm] | |
| EV220B 6-50 EV210B EV215B EV225B EV250B | BX024CS | ±10% | 24 | 50 / 60 | 14 | 18 | 46 | 018F4102 |
| | BX024CS | ±10% | 24 | 50 / 60 | 14 | 71 | 180 | 018F4103 |
| | BX024CS | ±10% | 24 | 50 / 60 | 14 | 98 | 250 | 018F4104 |
| | BX120CS | ±10% | 110 120 | 50 / 60 60 | 16 15 | 18 | 46 | 018F4112 |
| | BX120CS | ±10% | | | | 36 | 91 | 018F4113 |
| | BX120CS | ±10% | | | | 71 | 180 | 018F4114 |
| | BX120CS | ±10% | | | | 98 | 250 | 018F4115 |
| | BX240CS | ±10% | 208 – 240 230 | 60 50 | 14 17 | 18 | 46 | 018F4122 |
| | BX240CS | ±10% | | | | 98 | 250 | 018F4123 |

Technical data

| | |
|------------------------------------|-----------------------------|
| Design | In accordance with UL 429 |
| Power consumption, cut in | 49 VA |
| Insulation of coil windings | Class H according to IEC 85 |
| Connection | Conduit hub |
| Enclosure, IEC 529 | Conduit hub NEMA 4 ~ IP54 |
| Ambient temperature | -40 – 50 °C / -40 – 122 °F |

Dimensions and weight



BY, High performance coils



- Enclosure:
Up to IP65 / NEMA 4
- For UL recognised valves ^{us}
- In accordance with:
 - RoHS Directive 2011/65/EU
 - Low Voltage Directive 2014/35/EU
 - EN60730-1
 - EN60730-2-8

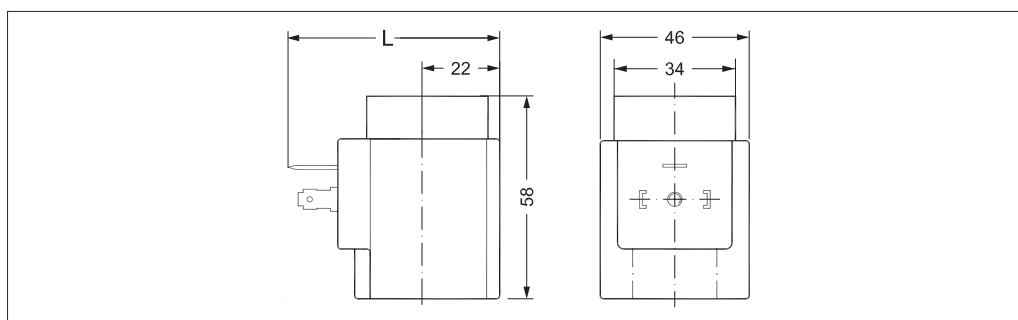
| Type | Tambient [°C] | Supply voltage [V] | Voltage variation | Frequency [Hz] | Power consumption | | Approval | Code no. |
|---------|------------------|--------------------------|----------------------|-------------------|-------------------|------|---------------|----------|
| | | | | | [W] | [VA] | | |
| BY024CS | -40 – 50 | 24 | ±10% | 50 | 14 | 26 | ^{us} | 018F7655 |
| | | 24 | ±10% | 60 | 12 | 21 | | |
| BY240CS | -40 – 50 | 230 | ±10% | 50 | 16 | 32 | ^{us} | 018F7658 |
| | | 208 – 240 | ±10% | 60 | 14 | 28 | | |
| BY120CS | -40 – 50 | 110 | ±10% | 50 | 14 | 27 | ^{us} | 018F7663 |
| | | 110 – 120 | ±10% | 60 | 14 | 27 | | |

Technical data

| | |
|-----------------------------|---|
| Design | In accordance with VDE 0580 |
| Insulation of coil windings | Class H according to IEC 85 |
| Connection | Spade connector in accordance with DIN 43650 form A |
| Enclosure, IEC 529 | Up to IP65 / NEMA 4 |
| Plug type | Cable plug (042N0156) |

Dimensions and weight

| Type | L without cable plug [mm] | L with protective cap [mm] | L with cable plug [mm] | Weight [kg] |
|------|---------------------------------|----------------------------------|------------------------------|----------------|
| BY | 62 | 77 | 85 | 0.24 |



BQ, High performance coils



- Enclosure:
Up to IP65 / NEMA 4
- Max. media temperature:
185 °C steam
- For UL recognised valves
- In accordance with:
 - RoHS Directive 2011/65/EU
 - Low Voltage Directive 2014/35/EU
 - EN60730-1
 - EN60730-2-8

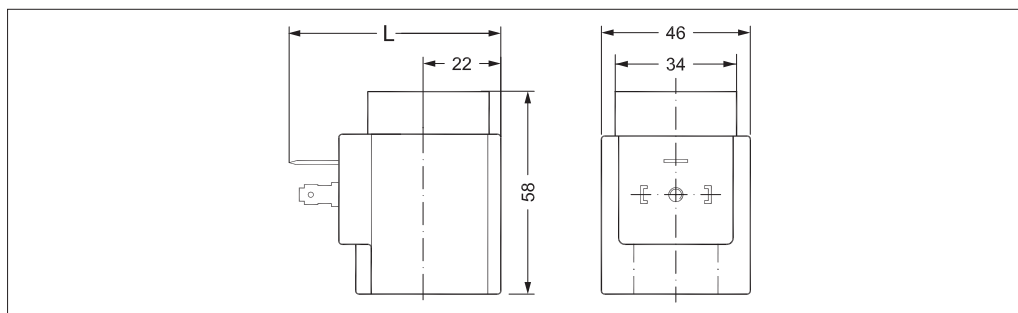
| Type | Tambient [°C] | Supply voltage [V] | Voltage variation | Frequency [Hz] | Power consumption | | Approval | Code no. |
|---------|------------------|--------------------------|----------------------|-------------------|-------------------|------|----------|----------|
| | | | | | [W] | [VA] | | |
| BQ024CS | -40 – 40 | 24 | -15%, 10% | 50 | 10 | 17 | | 018F4517 |
| | | 24 | -15%, 10% | 60 | 9.0 | 16 | | |
| BQ120BS | -40 – 40 | 110 / 120 | -15%, 6% | 60 | 13.5 | 19 | | 018F4519 |
| BQ240CS | -40 – 40 | 230 | -15%, 6% | 50 | 10 | 17 | | 018F4511 |
| | | 208 / 240 | -6%, 6% | 60 | 9.5 | 16 | | |

Technical data

| | |
|-----------------------------|---|
| Design | In accordance with VDE 0580 |
| Insulation of coil windings | Class H according to IEC 85 |
| Connection | Spade connector in accordance with DIN 43650 form A |
| Enclosure, IEC 529 | Up to IP65 / NEMA 4 |
| Plug type | Cable plug (042N0156) |

Dimensions and weight

| Type | L without cable plug [mm] | L with protective cap [mm] | L with cable plug [mm] | Weight [kg] |
|------|---------------------------------|----------------------------------|------------------------------|----------------|
| BQ | 62 | 77 | 85 | 0.24 |



AM coil



- Cable plug enclosure:
 - IP00 version with DIN 43650 A spade connectors
 - IP20 version with protective cap
 - IP65 version with cable plug
- In accordance with:
 - RoHS Directive 2011/65/EU
 - Low Voltage Directive 2014/35/EU
 - EN60730-1
 - EN60730-2-8

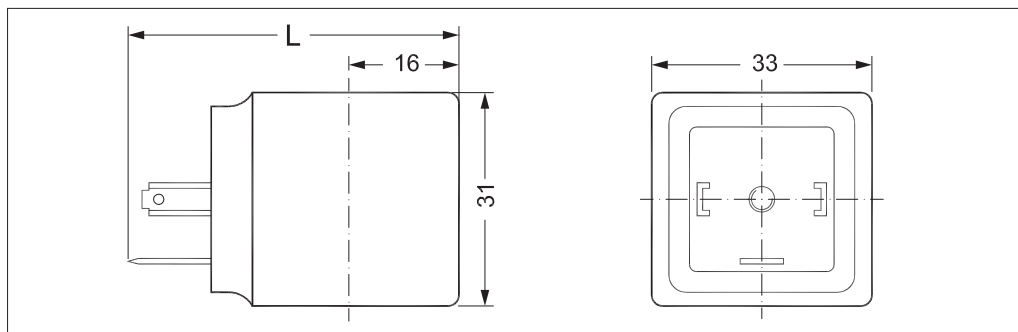
| Type | Tambient [°C] | Supply voltage [V] | Voltage variation | Frequency [Hz] | Power consumption | | Code no. |
|--------|------------------|-----------------------|-------------------|-------------------|-------------------|------|----------|
| | | | | | [W] | [VA] | |
| AM024C | -40 – 50 | 24 | ±10% | 60 | 5.5 | 11 | 042N0842 |
| | | 24 | ±10% | 50 | 7.5 | 14 | |
| AM110C | -40 – 50 | 110 | ±10% | 60 | 5.5 | 11 | 042N0845 |
| | | 110 | ±10% | 50 | 7.5 | 14 | |
| AM230C | -40 – 50 | 230 | ±10% | 60 | 6.5 | 13 | 042N0840 |
| | | 230 | ±10% | 50 | 9.5 | 18 | |
| AM240C | -40 – 50 | 240 | ±10% | 60 | 5.5 | 11 | 042N0841 |
| | | 240 | ±10% | 50 | 7.5 | 15 | |
| AM012D | -40 – 50 | 12 | ±10% | DC | 8.5 | – | 042N0848 |
| AM024D | -40 – 50 | 24 | ±10% | DC | 9.0 | – | 042N0843 |

Technical data

| | |
|------------------------------------|---|
| Design | In accordance with VDE 0580 |
| Power consumption, cut in | 22.5 VA AC coils only |
| Insulation of coil windings | Class H according to IEC 85 |
| Connection | Spade connector in accordance with DIN 43650 form A |
| Enclosure, IEC 529 | IP00 with spade connector, IP65 with cable plug |
| Duty rating | Continuous |
| Plug type | Cable plug (042N0156) |

Dimensions and weight

| Type | L without cable plug [mm] | L with cable plug [mm] | L with protective cap [mm] | Weight [kg] |
|------|---------------------------------|------------------------------|----------------------------------|----------------|
| AM | 48 | 72 | 64 | 0.10 |



AP, Compact UL recognised coils



- Cable plug enclosure:
 - IP00 version with DIN 43650 A spade connectors
 - IP20 version with protective cap
 - IP65 version with cable plug
- For UL recognised valves
- Ambient temperature:
 - Up to 50 °C / 122 °F
- In accordance with:
 - RoHS Directive 2011/65/EU
 - Low Voltage Directive 2014/35/EU
 - EN60730-1
 - EN60730-2-8

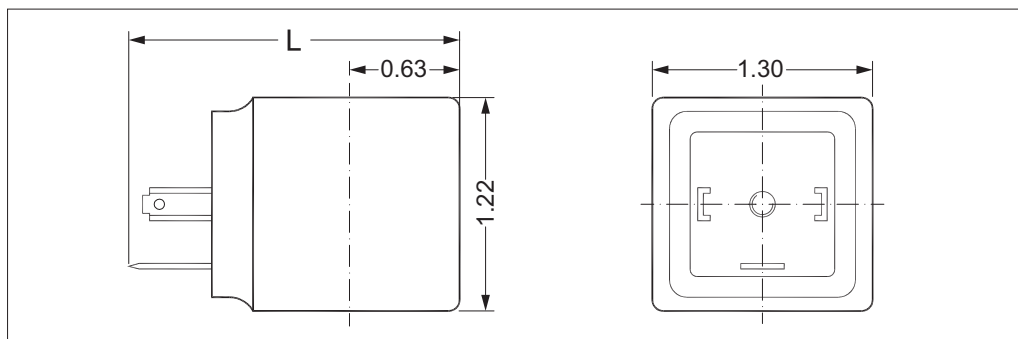
| Type | Tambient [°C / °F] | Supply voltage [V] | Voltage variation | Frequency [Hz] | Power consumption | | Approval | Code no. |
|--------|-------------------------|-----------------------|-------------------|-------------------|-------------------|------|----------|----------|
| | | | | | [W] | [VA] | | |
| AP240C | -40 – 50 / -40 – 122 | 208 – 240 | ±10% | 60 | 5.5 | 11 | | 042N4291 |
| | | 230 | ±10% | 50 | 7.5 | 15 | | |
| AP120B | -40 – 50 / -40 – 122 | 110 – 120 | ±10% | 60 | 5.0 | 11 | | 042N4292 |
| AP024B | -40 – 50 / -40 – 122 | 24 | ±10% | 60 | 5.0 | 11 | | 042N4293 |

Technical data

| | |
|------------------------------------|--|
| Design | In accordance with VDE 0580 |
| Insulation of coil windings | Class H according to IEC 85 |
| Connection | Spade connector in accordance with DIN 43650 form A |
| Enclosure, IEC 529 | IP00 with spade connector, IP65 / NEMA 2 with cable plug |
| Duty rating | Continuous |
| Plug type | Cable plug (042N0156) |

Dimensions and weight

| Type | L without cable plug [in] | L with cable plug [in] | L with protective cap [in] | Weight [kg / lbs] |
|------|---------------------------------|------------------------------|----------------------------------|----------------------|
| AP | 1.89 | 2.83 | 2.52 | 0.10 / 0.22 |



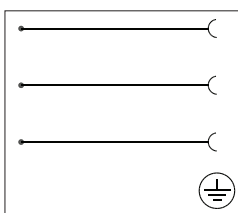
Cable plug



- Enclosure: Up to IP65
- For use with Danfoss coils type AL, AM, AS, AZ, BA, BB, BD, BN (Center boss), BQ, and BY
- AC / DC all voltages up to 250 V
- Approved in accordance with:
 - c us
 - CSA
 - VDE

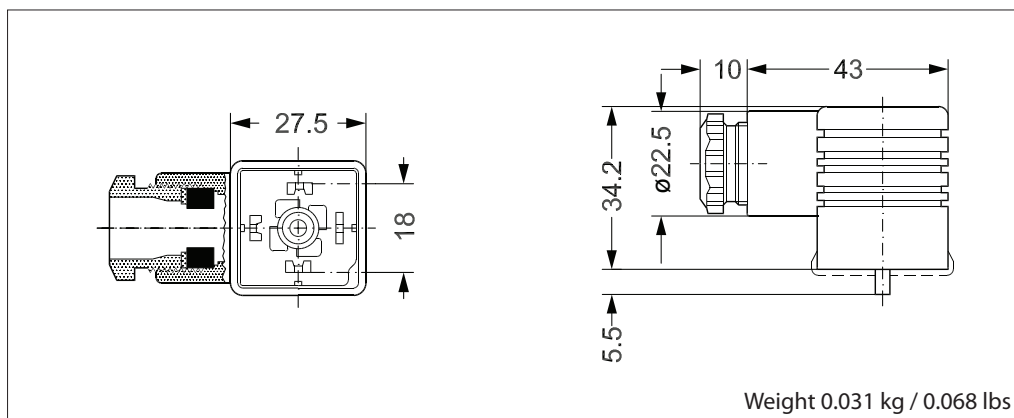
| Cable plug size | Description | Suitable for coil types | Code no. |
|-----------------|---|--|----------|
| DIN 18 | Cable plug according to DIN 43650-A PG 11 | AL, AM, AS, AZ, BA, BB, BD, BN (Center boss), BQ, BY | 042N0156 |

Technical data



| | | |
|------------------------|----------------------------|-------------------|
| Type | GDM 2011 J (Grey) | |
| Design | DIN 43650-A | |
| Cable gland | PG 11 | |
| Poles | 2 + PE | |
| Max. voltage | 250 V AC / DC | |
| Approvals | c us, CSA, VDE | |
| Enclosure | IP65 (IEC 60529) | |
| Max. operating current | 16 A | |
| Contact resistance | < 10m Ω | |
| Cable diameter | Ø4.5 – 11 mm | |
| Wire cross section | Max. 1.5 mm ² | |
| Ambient temperature | -30 – 90 °C / -22 – 194 °F | |
| Materials | Contacts: | CuSn (Tin plated) |
| | Terminal block: | PA 6 GF |
| | Profiled gasket: | NBR |
| | Housing: | PA 6 GF |

Dimensions and weight



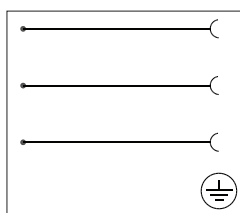
Cable plug



- Enclosure:
Up to IP65
- For use with Danfoss coils type AL, AM, AS, AZ, BA, BB, BD, and BY
- AC / DC all voltages up to 250 V
- Approved in accordance with:
CSA
- In accordance with:
- RoHS 2011/65/EU
- LVD 2014/35/EU

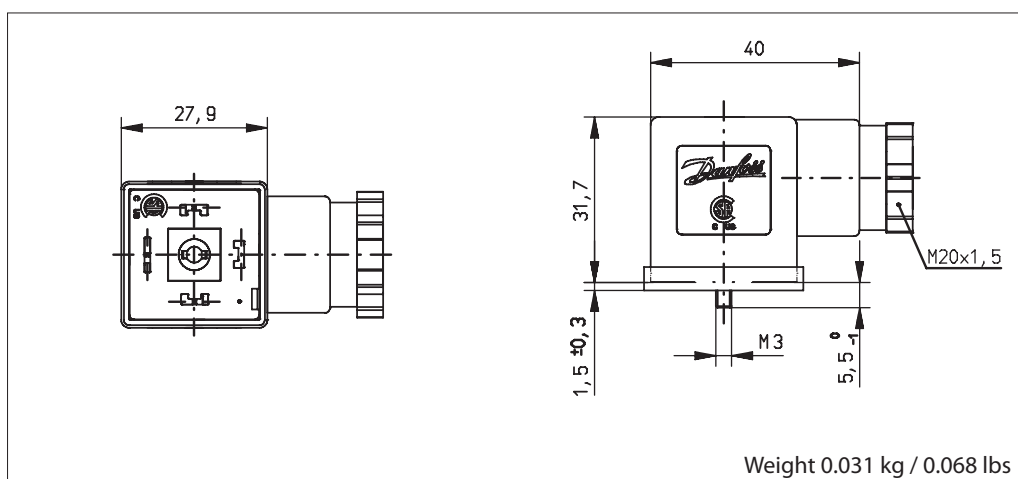
| Cable plug size | Description | Suitable for coil types | Code no. |
|-----------------|------------------------|--------------------------------|-----------------|
| DIN 18 | Cable plug with form A | AL, AM, AS, AZ, BA, BB, BD, BY | 042N0178 |

Technical data



| | | |
|-------------------------------|----------------------------|------------------------|
| Design | EN 175301-803 Form A | |
| Cable gland | PG 11 | |
| Poles | 2 + PE | |
| Max. voltage | 250 V AC / DC | |
| Approvals | CSA | |
| Enclosure | IP65 | |
| Max. operating current | 16 A | |
| Contact resistance | < 4m Ω | |
| Cable diameter | Ø6 – 8 / 8 – 10 mm | |
| Wire cross section | Max. 1.5 mm ² | |
| Ambient temperature | -25 – 80 °C / -13 – 176 °F | |
| Materials | Contacts: | CuZn, Cu / Sn - plated |
| | Terminal block: | PA 6 GF |
| | Profiled gasket: | NBR |
| | Housing: | PA 6 GF |

Dimensions and weight



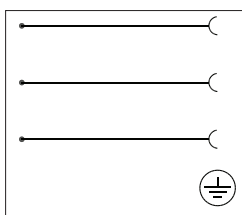
Industrial plug



- Enclosure:
Up to IP65
- For use with Danfoss coils type AB and AC
- AC / DC all voltages up to 250 V
- Approved in accordance with:
 - c US
 - CSA

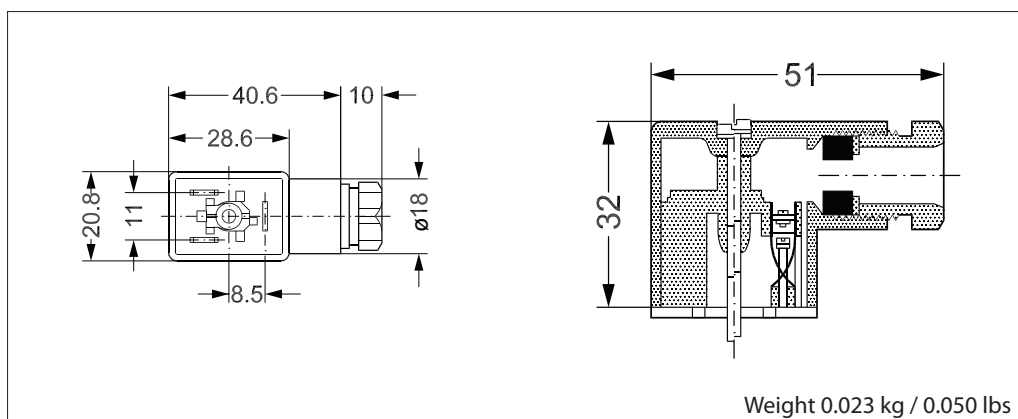
| Industrial plug size | Description | Suitable for coil types | Code no. |
|----------------------|--|-------------------------|----------|
| DIN 11 | Cable plug for 6.3 x 0.8 mm spade connectors | AB, AC | 042N0139 |

Technical data



| | | |
|------------------------|----------------------------|-------------------|
| Type | GM 209 J (Black) | |
| Design | DIN 43650-B | |
| Cable gland | PG 9 | |
| Poles | 2 + PE | |
| Max. voltage | 250 V AC / DC | |
| Approvals | c US CSA | |
| Enclosure | IP65 (IEC 60529) | |
| Max. operating current | 16 A | |
| Contact resistance | < 10m Ω | |
| Cable diameter | Ø4.5 – 7 mm | |
| Wire cross section | Max. 1.5 mm ² | |
| Ambient temperature | -30 – 90 °C / -22 – 194 °F | |
| Materials | Contacts: | CuSn (Tin plated) |
| | Terminal block: | PA 6 GF |
| | Flat gasket: | NBR |
| | Housing: | PA 6 GF |

Dimensions and weight



Cable plug (LED + Varistor)

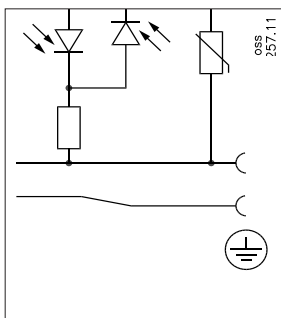


- Enclosure:
Up to IP65
- For use with Danfoss coils type AM, AK, AL, AS, AZ, BA, BD, BB, and BY
- 24 V AC / DC and 230 V AC version
- DIN 18
- Approved in accordance with:
CSA
- In accordance with:
- RoHS 2011/65/EU
- LVD 2014/35/EU

| Cable plug size | Voltage | | Voltage variation | Suitable for coil types | LED colour | Built-in VDR ¹⁾ resistor | Code no. |
|-----------------|---------|--------|-------------------|--------------------------------|------------|-------------------------------------|-----------------|
| | [V AC] | [V DC] | | | | | |
| DIN 18 | 24 | 24 | ±10% | AM, AL, AS, AZ, BA, BB, BD, BY | Red | Yes | 042N0263 |
| DIN 18 | 230 | – | ±10% | AM, AL, AS, AZ, BA, BB, BD, BY | Red | Yes | 042N0265 |

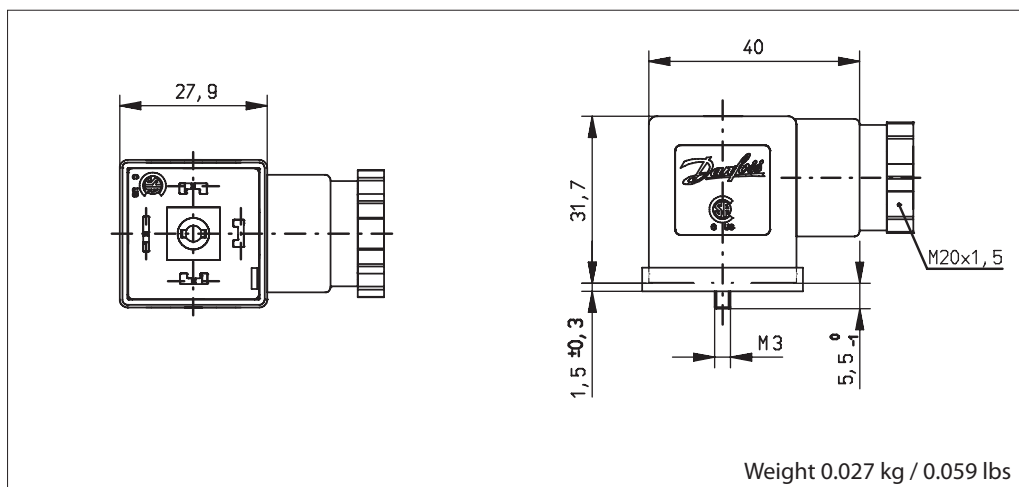
¹⁾ Protects against voltage peaks.

Technical data



| | | |
|--|----------------------------|---------------------------|
| Design | EN 175301-803 A | |
| Power consumption | Max. 5 mA | |
| Approval | CSA | |
| Enclosure | IP65 (IEC 60529) | |
| Max. operating current | 1.5 A clamping contact | |
| Contact resistance | ≤ 4m Ω | |
| Protection against wrong polarity | Yes | |
| Cable diameter | 6 – 8 mm and 8 – 10 mm | |
| Wire cross section | Max. 1.5 mm ² | |
| Ambient temperature | -25 – 60 °C / -13 – 140 °F | |
| Materials | Contacts: | CuZn, Cu / Sn-plated |
| | Terminal block: | PA6 + 30% FG, black |
| | Flat gasket: | NBR LABS-free |
| | Housing: | PA6 |
| | Wire holder: | PA6.6 + 50% FG P7,5 black |

Dimensions and weight



**Industrial plug
(LED + Varistor)**

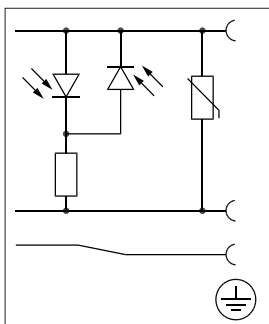


- Enclosure:
Up to IP65
- For use with Danfoss coils type AB and AC
- 24 V AC
- Approved in accordance with:
CSA
- In accordance with:
- RoHS 2011/65/EU
- LVD 2014/35/EU

| Industrial plug size | Voltage | | Suitable for coil types | LED colour | Built-in VDR ¹⁾ resistor | Code no. |
|----------------------|---------|--------|-------------------------|------------|-------------------------------------|-----------------|
| | [V AC] | [V DC] | | | | |
| DIN 11 | 24 | 24 | AB, AC | Red | Yes | 042N0267 |

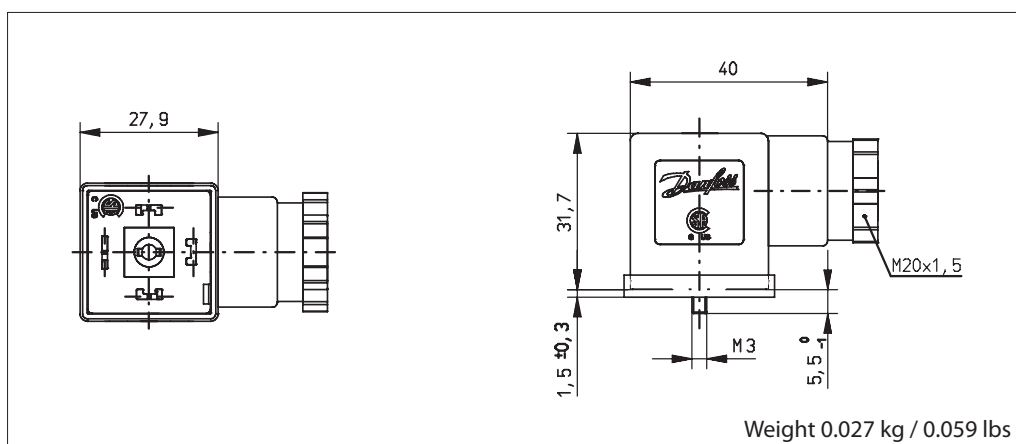
¹⁾ Protects against voltage peaks.

Technical data



| | | |
|--|----------------------------|---------------------------|
| Design | Industrial form | |
| Supply voltage variation | ±10% | |
| Power consumption | Max. 5 mA | |
| Approval | CSA | |
| Enclosure | IP65 (IEC 60529) | |
| Max. operating current | 1.5 A clamping contact | |
| Contact resistance | ≤ 4m Ω | |
| Protection against wrong polarity | Yes | |
| Cable diameter | 5 – 6 mm and 6 – 9 mm | |
| Wire cross section | Max. 1 mm ² | |
| Ambient temperature | -25 – 60 °C / -13 – 140 °F | |
| Materials | Contacts: | CuZn, Cu/Sn-plated |
| | Terminal block: | PA6 + 30% FG, black |
| | Flat gasket: | NBR LABS-fre |
| | Housing: | PA6 |
| | Wire holder: | PA6.6 + 50% FG P7,5 black |

Dimensions and weight



**Universal electronic
multi-timer Type ET 20 M**



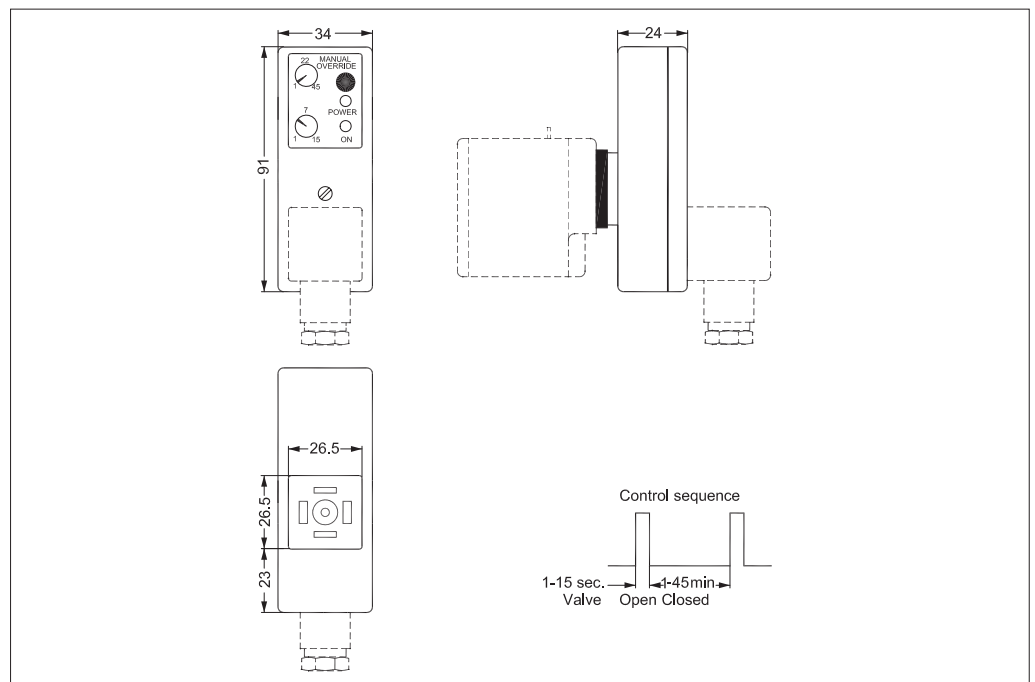
- Outside adjustments
- Light weight and small size
- External adjustable timing from 1 minute to 45 minutes with 1 to 15 seconds drain open
- One solid state timer fits all coil voltages from 24 – 240 V AC
- Light diodes for indication
- All in one unit
- Manual override (test button).

| Type | Voltage [V] | Suitable for coil types | Code no. |
|--------|-------------|----------------------------|----------|
| BA024A | 24 – 240 | AL, AM, AS, AZ, BA, BD, BB | 042N0185 |

Technical data

| | |
|-------------------------------------|-----------------------------|
| Type | ET 20 M |
| Voltage | 24 – 240 V AC / 50 – 60 Hz |
| Power rating | Max. 20 W |
| Enclosure | IP00, IP65 with cable plug |
| Electrical connection | DIN connector (DIN 43650-A) |
| Ambient operating temperature range | -10 – 50 °C |
| Function | Start with pulse |
| Interval timer | 0 – 45 min. |
| “On” timer | 0 – 15 sec. |

Dimensions and weight



Danfoss can accept no responsibility for possible errors in catalogues, brochures and other printed material. Danfoss reserves the right to alter its products without notice. This also applies to products already on order provided that such alterations can be made without consequential changes being necessary in specifications already agreed. All trademarks in this material are property of the respective companies. Danfoss and the Danfoss logotype are trademarks of Danfoss A/S. All rights reserved.