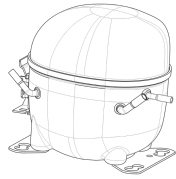


220-240V 50 1~**GENERAL DATA****Application:** MBP**Refrigerant:** R290**Evaporating Temperature Range:** -20°C to 10°C**Compressor Cooling:** Fan**Fan air flow:** 520 m³/h**Type:** Hermetic reciprocating**Technology Type:** On-Off**Expansion Device:** Capillary Tube or Expansion Valve**Packing Quantity:** Single - 1 pc**Displacement:** 7.28 cm³**Horse power:** 1.3 hpApprovals:   **MECHANICAL DATA****Bore:** 26.5 mm**Stroke:** 13.2 mm**Oil Charge:** 350ml +/-15ml**Free Internal Volume:** 2.1 cm³**Maximum Recommended Refrigerant Charge:** 150 g**Oil Type Configuration:** Polyolester**Oil Type Viscosity:** ISO22**Compressor pressurization:** Without dry air charge**Weight:** 10.3 kg**ELECTRICAL DATA****Motor Type:** CSIR**Starting Torque:** HST**Voltage working range at 50 Hz:** 198-254 V**Maximum Motor Temperature:** 130 °C**Start Winding Resistance:** 28.2 Ω (± 10%) at 25°C**Run Winding Resistance:** 6.1 Ω (± 10%) at 25°C**Locked Rotor Amperage (LRA):** 14 A**MOUNTING ACCESSORIES**

	Description	Code
Anchorage:	no	-
Capacitor Bracket:	no	-
Washer:	no	-
Pin:	no	-
Clip:	no	-
Rotolock valve:	no	-
Cover:	yes	2075282
Grommets:	yes	2221011
Sleeves:	yes	2222018
Terminal Board:	yes	1027060
Overload Protector Bracket:	yes	2075299

ELECTRICAL COMPONENTS

	Component type	Description	Code
Start Capacitor:		43-53 MFD 330V	2252347
Motor Protection:	External 3/4"	T0186/G6	2319069
Starting Device:	Current relay	MTRP-0029-65	2334105

EXTERNAL CHARACTERISTICS**Base Plate:** European**Tray Holder:** No**Height:** 188 mm

	Internal Diameter (mm)	Material	Shape
Suction Connector	8.1	Copper	Slanted 42°
Discharge Connector	6.1	Copper	Straight
Process Connector	6.1	Copper	Slanted 42°



RATED POINT DATA

Cooling Capacity (W)	Power Consumption (W)	Current Consumption (A)	Gas Flow Rate (kg/h)	Efficiency (W/W)
±5%	±5%	±5%	±5%	±7%
965	379	2.42	10.94	2.54

Test condition: ASHRAE, Fan, Return Gas 35°C, Subcooling 8.3K, Evaporating: 7.2°C, Condensing: 54°C, Ambient: 35°C

PERFORMANCE CURVE DATA

220V 50Hz

Condensing Temperature (°C)	Evaporating Temperature (°C)	Cooling Capacity (W)	Power Consumption (W)	Current Consumption (A)	Gas Flow Rate (kg/h)	Efficiency (W/W)
		±5%	±5%	±5%	±5%	±7%
35°C	10	1 339	297	2.12	13.48	4.51
	5	1 138	290	2.11	10.86	3.92
	0	954	283	2.09	9.30	3.37
	-5	791	275	2.06	8.14	2.88
	-10	652	264	2.03	6.71	2.47
	-15	543	250	1.98	4.34	2.17
	-20	466	231	1.93	0.38	2.02

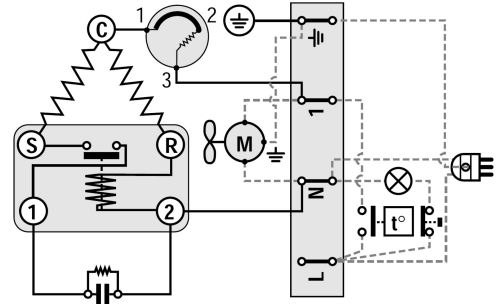
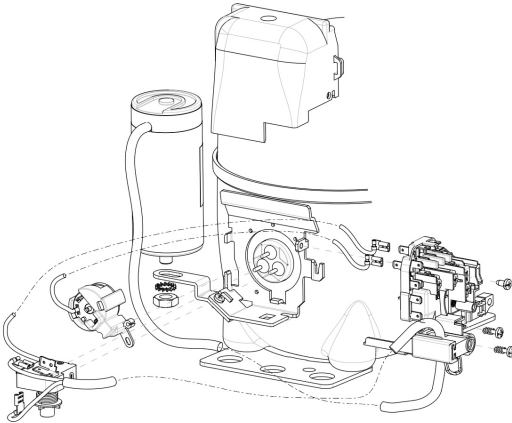
Condensing Temperature (°C)	Evaporating Temperature (°C)	Cooling Capacity (W)	Power Consumption (W)	Current Consumption (A)	Gas Flow Rate (kg/h)	Efficiency (W/W)
		±5%	±5%	±5%	±5%	±7%
45°C	10	1 185	344	2.28	12.97	3.45
	5	1 007	333	2.25	10.37	3.02
	0	844	322	2.21	8.86	2.62
	-5	697	309	2.17	7.76	2.26
	-10	572	293	2.11	6.40	1.95
	-15	472	273	2.05	4.14	1.73
	-20	401	248	1.97	0.29	1.62

Condensing Temperature (°C)	Evaporating Temperature (°C)	Cooling Capacity (W)	Power Consumption (W)	Current Consumption (A)	Gas Flow Rate (kg/h)	Efficiency (W/W)
		±5%	±5%	±5%	±5%	±7%
55°C	10	1 040	393	2.47	12.52	2.65
	5	886	377	2.41	9.94	2.35
	0	741	360	2.35	8.46	2.06
	-5	611	341	2.27	7.41	1.79
	-10	498	319	2.19	6.14	1.56

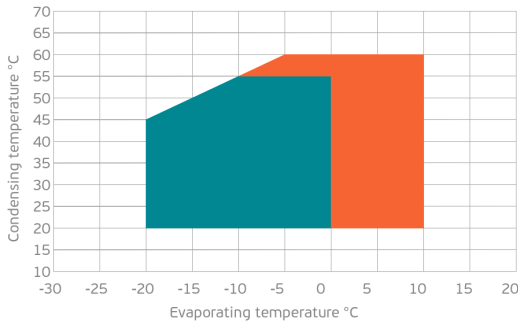
Test condition: ASHRAE, Fan, Return Gas 35°C, Subcooling 8.3K, Ambient: 35°C

ASSEMBLY INSTRUCTION

WIRING DIAGRAM

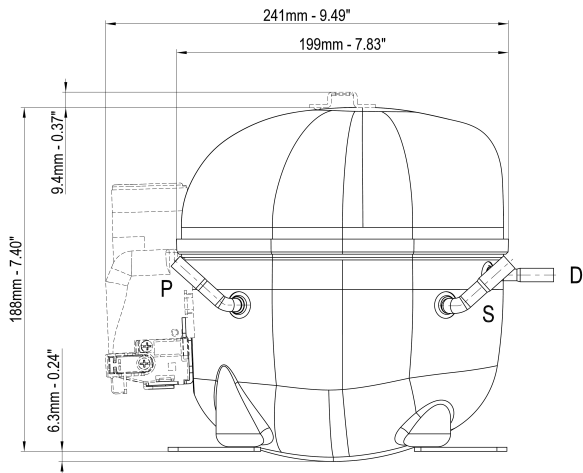


OPERATING ENVELOPE



- Operating Condition
- Transient Condition
- Superheating

NOTE: usage of compressors outside of intended working range cannot make use of the warranty, or should be consulted with Technical support.



	∅ mm	∅ in	Material
S - Suction	8.10 - 8.20	0.32	Cu
P - Process	6.10 - 6.20	0.24	Cu
D - Discharge	6.10 - 6.20	0.24	Cu

